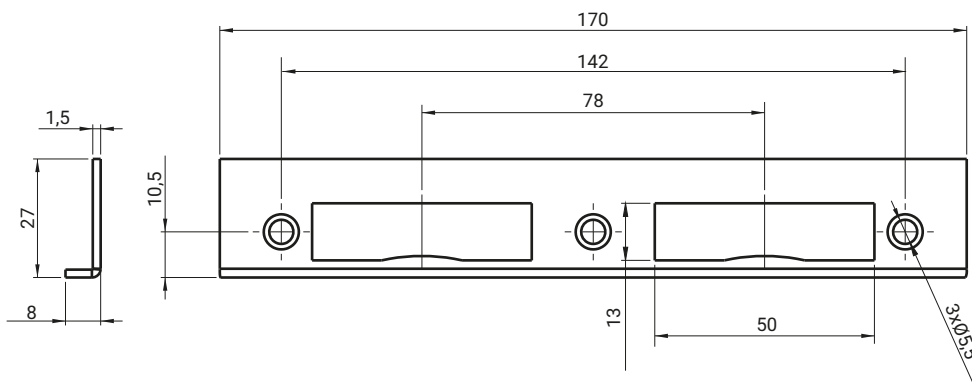


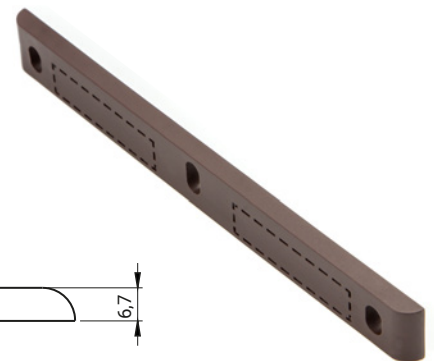
Latching element 4.471, Masking element 4.472



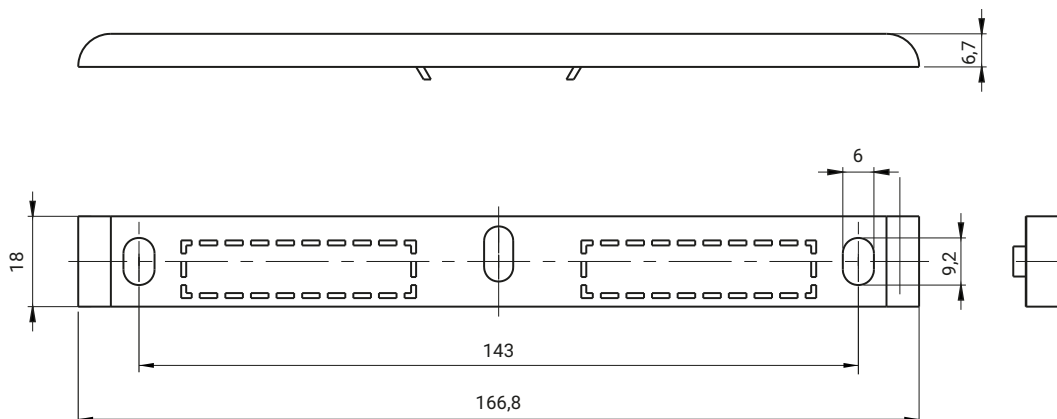
Latching element



CATALOGUE NO.	MATERIAL
4.471.001	Steel zinc plated



Masking element



CATALOGUE NO.	MATERIAL
4.472.001	Polipropylen - PP color - brown