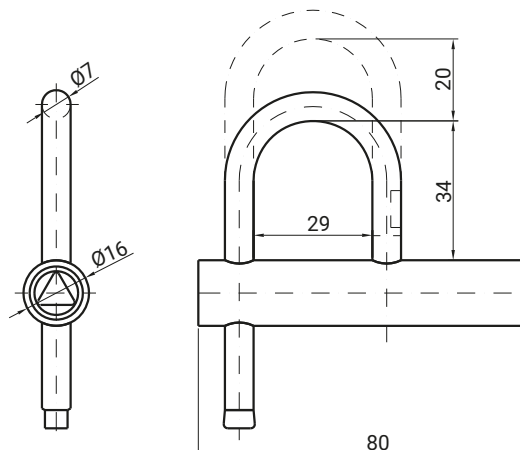
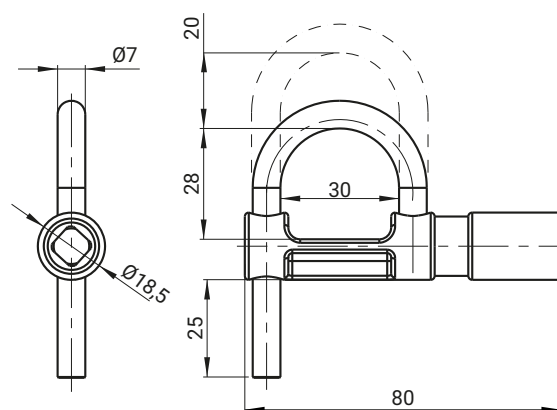


stainless steel

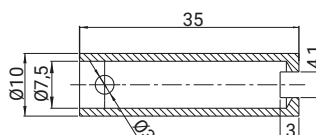
**PADLOCK
4.KD.001**



**SELF-LOCKING PADLOCK
4.KDZN.002**



**KEY
4.KDZN.002.06**



INSERTS [X]			
4.KD.001, 4.KDSN.001, 4.KDZN.001			
T9	KW8	KW6	C9

CAT. NUMBER	NAME	MATERIAL
4.KD.001	Padlock KD	Steel zinc plated
4.KDZN.002	Self-locking padlock KDZN	Zamak - zinc plated
4.KDZN.002.06	Key for padlock KDZN002	Steel zinc plated

How to order :
 Type of lock _____ 4.KDZN.002 — KW8
 Type of insert [X] _____