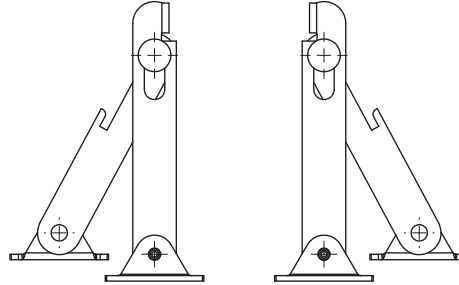
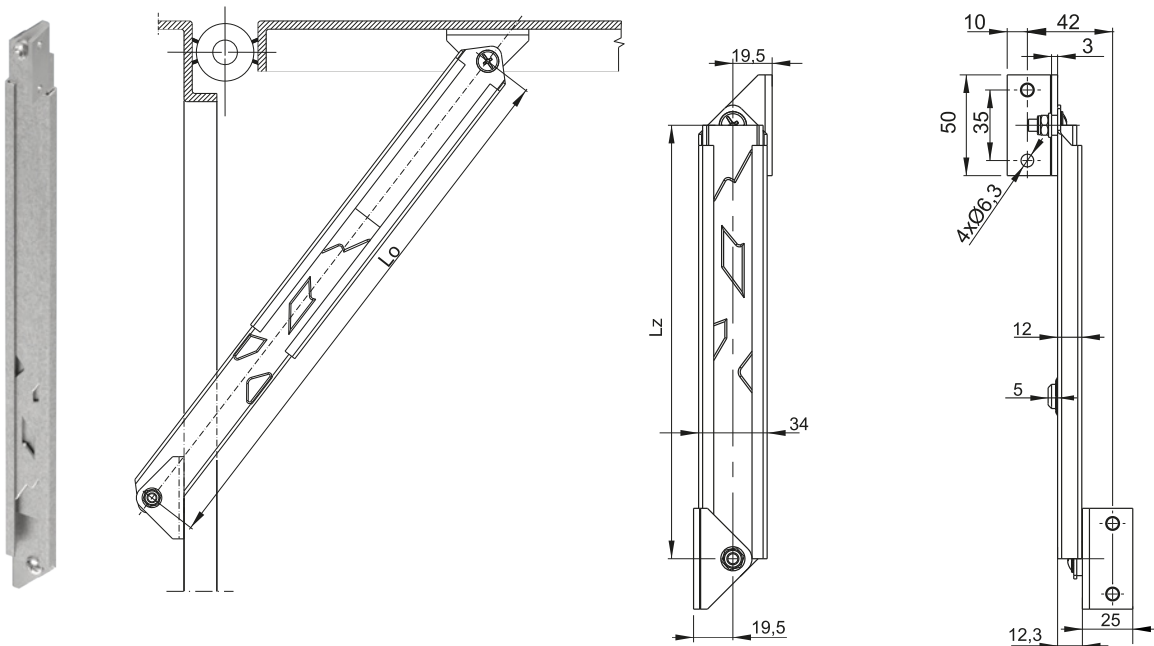


Left version

Right version



CATALOGUE NO.	VERSION	L	MATERIAL	
4.401.301	Right	290	Steel zinc plated	
4.401.301SN			Stainless steel	
4.401.302	Left		Steel zinc plated	
4.401.302SN			Stainless steel	
4.401.303	Right		202	Steel zinc plated
4.401.303SN				Stainless steel
4.401.304	Left	Steel zinc plated		
4.401.304SN		Stainless steel		
4.401.305	Right	135		Steel zinc plated
4.401.305SN				Stainless steel
4.401.306	Left		Steel zinc plated	
4.401.306SN			Stainless steel	



CAT. NUMBER	NAME	MATERIAL	Lz - closed	Lo - open
4.401.101	Telescopic blockade	Steel zinc plated	215	335
4.401.102			395	695