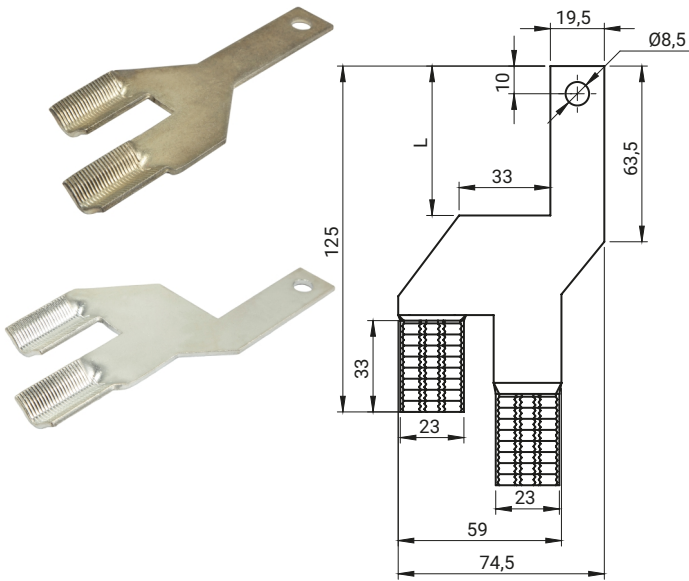
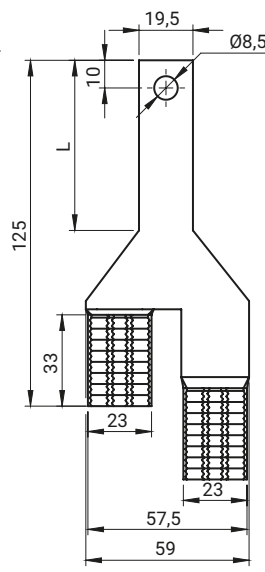


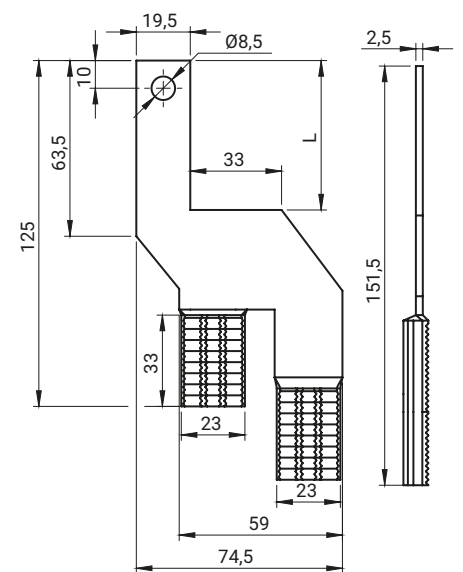
4.601.101, 4.601.201



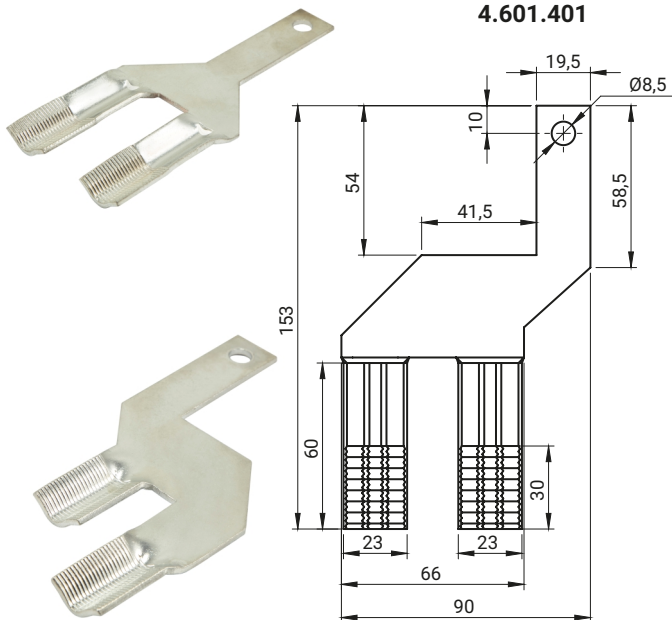
4.601.102, 4.601.202



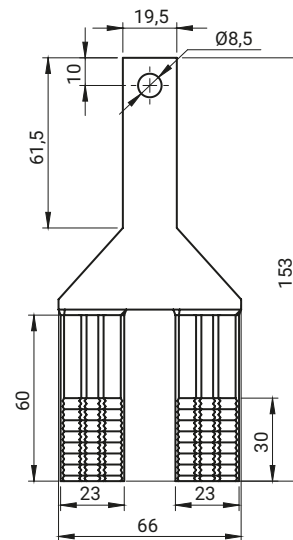
4.601.103, 4.601.203



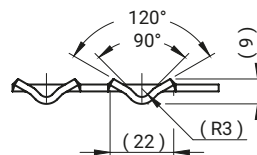
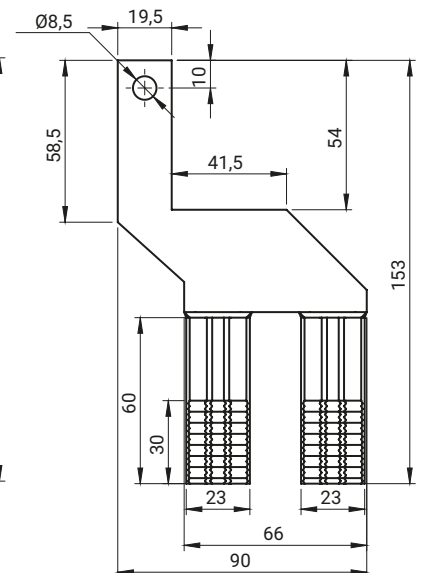
4.601.401



4.601.402



4.601.403



CATALOGUE NO.	L [mm]	NAME	MATERIAL
4.601.101	54	Terminals	Tin-plated copper
4.601.201	42		
4.601.102	63,5		
4.601.202	50		
4.601.103	54		
4.601.203	42		
4.601.401	-		
4.601.402	-		
4.601.403	-		