

# Screw clamps v-klema type HS steel double

Info

1 | Locking systems

2 | Locks | Latches

3 | Hinges

4 | Screw clamps

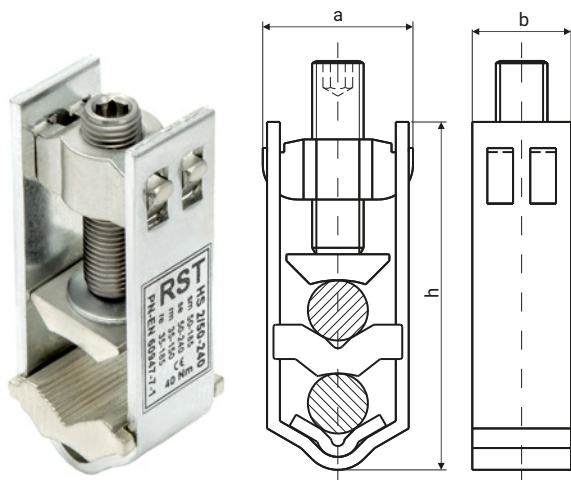
5 | Accessories

6 | Gasketing profiles

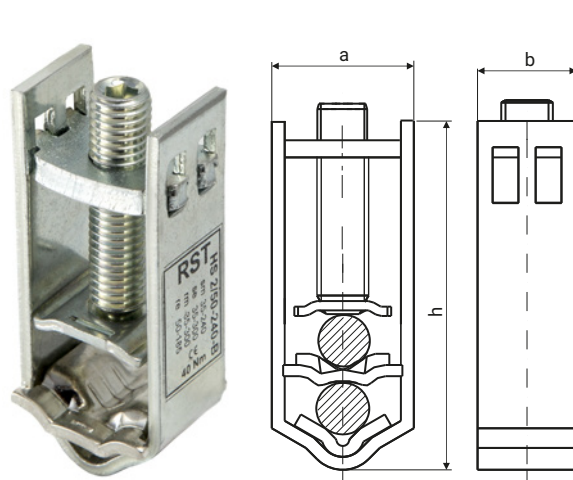
7 | Custom products

Index

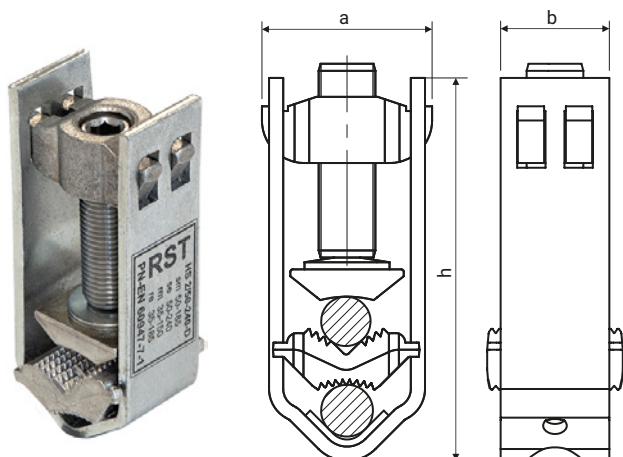
HS 2/50-240



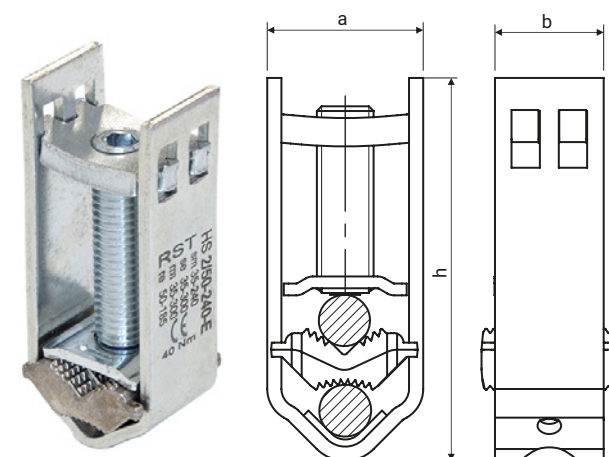
HS 2/50-240-B







HS 2/50-240-D



HS 2/50-240-E



-  **sm** - multiwire sector shaped conductor (flexible)      **rm** - round multiwire conductor (flexible)
-  **se** - sector shaped conductor (rigid)      **re** - round conductor (rigid)

DETAIL	CROSS-SECTION [mm <sup>2</sup> ]				NOMINAL CROSS-SECTION [mm <sup>2</sup> ]	MAX TIGHTENING TORQUE [Nm]	DIMENSIONS		
	sm	se	rm	re			a	b	h
HS 2/50-240	50-185	50-240	35-150	35-185	185	40	35	22	81
HS 2/50-240-B	35-240	35-300	35-300	50-185	185	40	35	22	81
HS 2/50-240-D	50-185	50-240	35-150	35-185	185	40	36	23	81
HS 2/50-240-E	35-240	35-300	35-300	50-185	185	40	35	23	81

	HS 2/50-240	HS 2/50-240-B	HS 2/50-240-D	HS 2/50-240-E
Clamp	Brass tin-plated	Steel zinc-plated	ZAMAK tin-plated	Steel zinc plated
Housing	Spring steel zinc-plated			
Screw	Steel zinc-plated			
Compression plate	Brass tin-plated		ZAMAK tin-plated	
Nut	Brass tin-plated	Spring steel zinc-plated	Brass tin-plated	Steel zinc plated

\* Screw clamps conform to EN 60947-7-1 (IEC 60947-7-1)