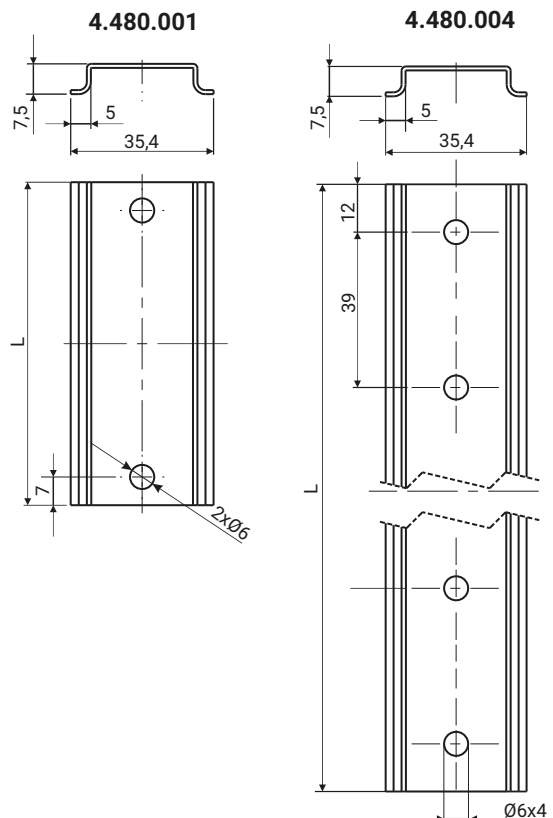
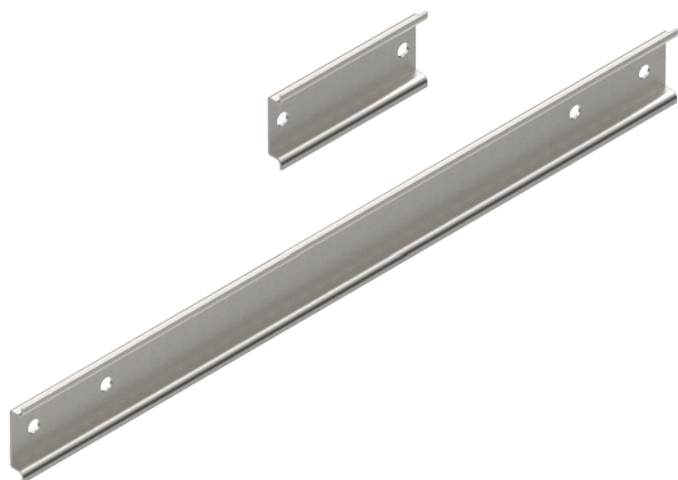
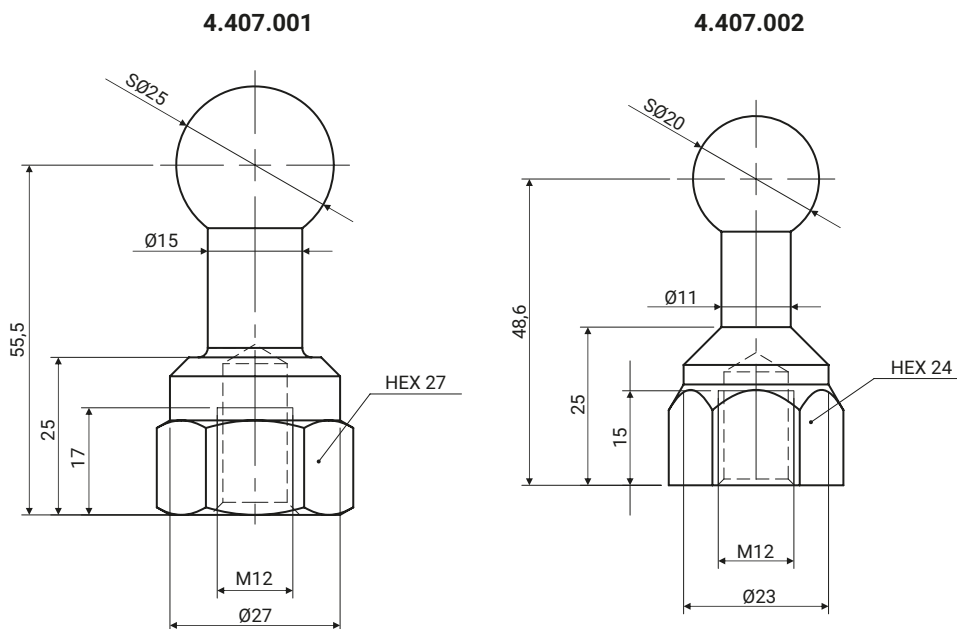


Assembling busbar 4.480, Ball stud 4.407



NOTICE: Other dimensions on request

CATALOGUE NO.	DIMENSION L	MATERIAL
4.480.001	80	Steel - zinc plated
4.480.004	360	Steel - zinc plated



Ball studs mounted on power rails, power cables, or other components of power equipment are used to attach the phase terminals of the earth electrode to the ball studs.

They can be mounted on flat rails, cable head ends, and other components with flat contact surfaces.

Manufactured from pure copper and electrolytically coated with tin.

CATALOGUE NO.	MATERIAL	FINISH
4.407.001	Copper	Tin-plated
4.407.002		