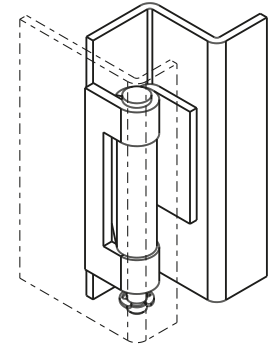
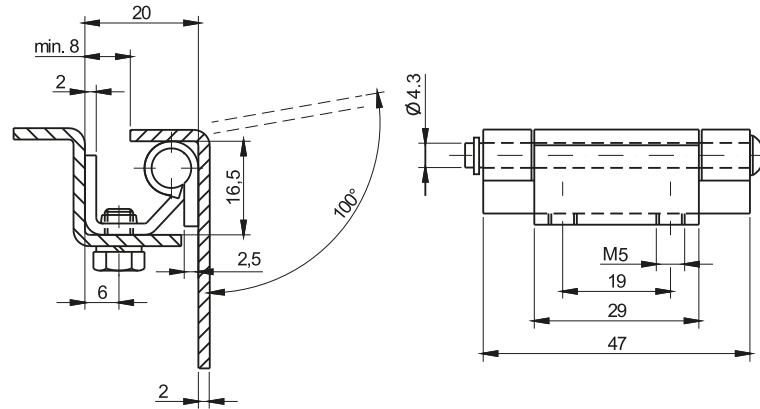
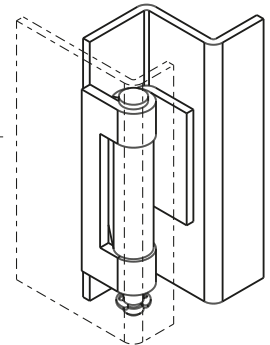
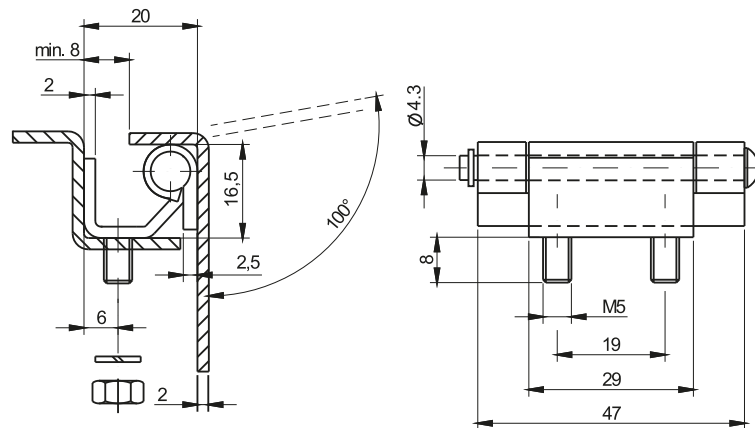


## Hinge 3.ST5, 3.ST6


 stainless steel


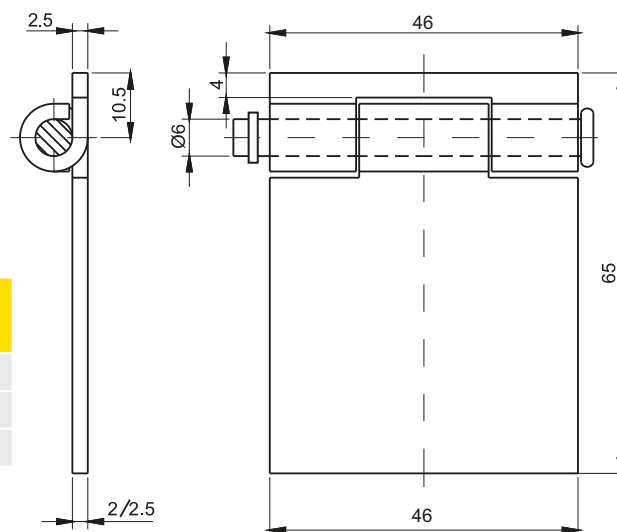
CATALOGUE NO.	COMPONENTS	MATERIAL
3.ST5.001	Base, Pin	Steel zinc plated
	Holder	Steel
3.ST5.001SN	Holder, Base, Pin	Stainless steel


 stainless steel


CATALOGUE NO.	COMPONENTS	MATERIAL
3.ST5.003	Base, Pin	Steel zinc plated
	Holder	Steel
3.ST5.003SN	Holder, Base, Pin	Stainless steel


 stainless steel


Thickness [mm]	X
1,5	01
2	02
2,5	03



CATALOGUE NO.	COMPONENTS	MATERIAL
3.ST6.001.X	Holder, Base	Steel
	Pin	Steel zinc plated
3.ST6.001SN.X	Holder, Base, Pin	Stainless steel