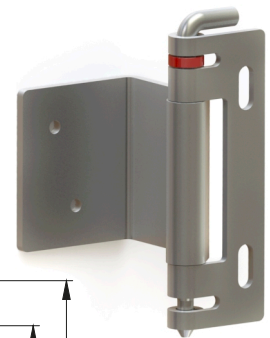
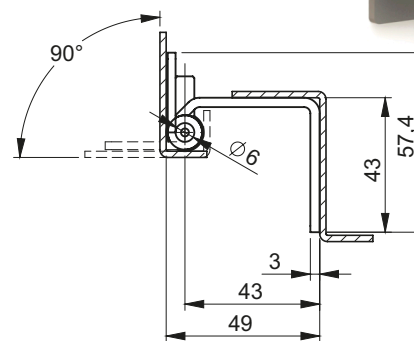
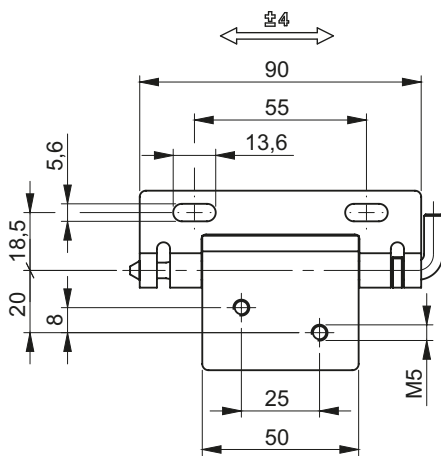


CATALOGUE NO.	COMPONENTS	MATERIAL
3.ST115.001	Holder, Base, Pin	Steel zinc plated
	Blockade	POM
3.ST115.001SN	Holder, Base, Pin	Stainless steel
	Blockade	POM



CATALOGUE NO.	COMPONENTS	MATERIAL
3.ST115.002	Holder, Base, Pin	Steel zinc plated
	Pin blockage	POM
3.ST115.002SN	Holder, Base, Pin	Stainless steel