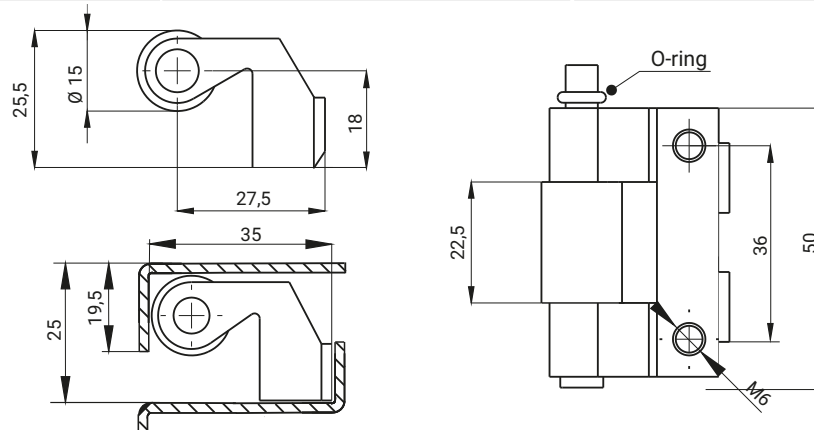
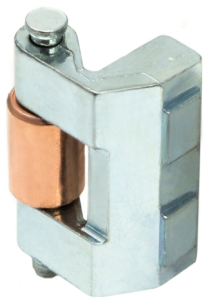


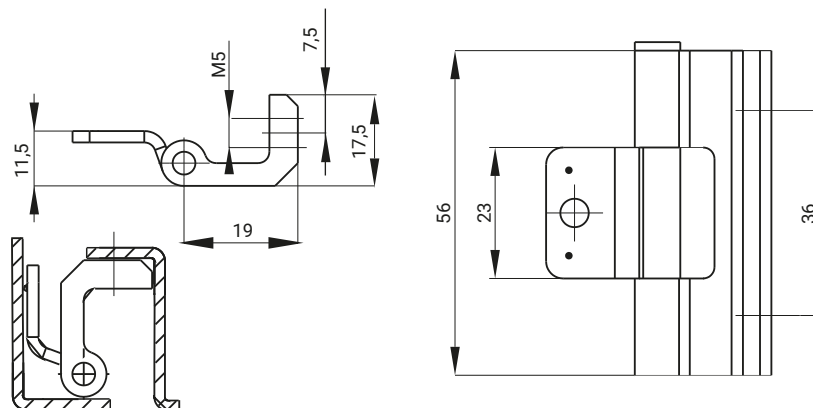
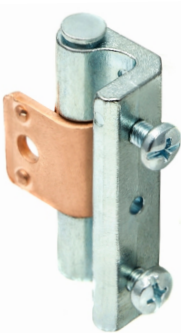
* DIN 7985 M6 screw is not included in the scope of supply.

CATALOGUE NO.	COMPONENTS	MATERIAL
3.501.001	Base	ZAMAK 5 zinc plated
	Holder	Steel copper plated
	Pin	Steel zinc plated



* DIN 7985 M6 screw is not included in the scope of supply.

CATALOGUE NO.	COMPONENTS	MATERIAL
3.502.001	Base	ZAMAK 5 zinc plated
	Holder	Steel copper plated
	Pin	Steel zinc plated



* DIN 7985 M5 screw is not included in the scope of supply.

CATALOGUE NO.	COMPONENTS	MATERIAL
3.503.001	Base	ZAMAK 5 zinc plated
	Holder	Steel copper plated
	Pin	Steel zinc plated