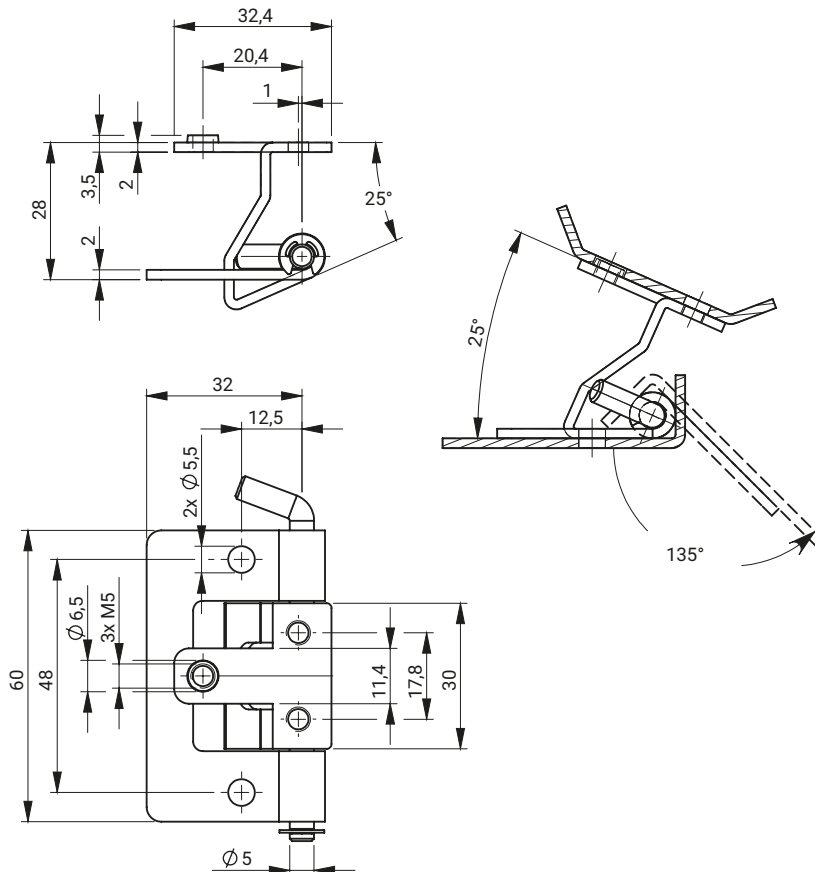


* DIN 7985 M5x7 screw is not included in the scope of supply.

CATALOGUE NO.	COMPONENTS	MATERIAL
3.538.001	Holder	Steel copper plated
	Base	Aluminum zinc plated



CATALOGUE NO.	COMPONENTS	MATERIAL
3.539.001	Holder, Base	Steel zinc plated