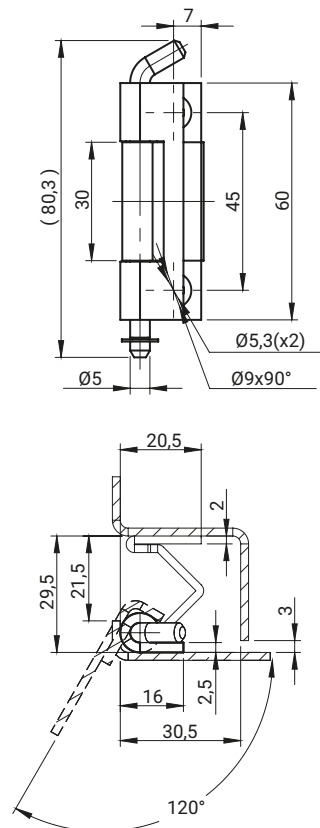


CATALOGUE NO.	COMPONENTS	MATERIAL
3.ST4-5.001	Holder, Base, Pin	Steel zinc plated
3.ST4-5.001SN	Holder, Base, Pin	Stainless steel



CATALOGUE NO.	COMPONENTS	MATERIAL
3.ST160.001	Base, Pin	Steel zinc plated
	Holder	Steel