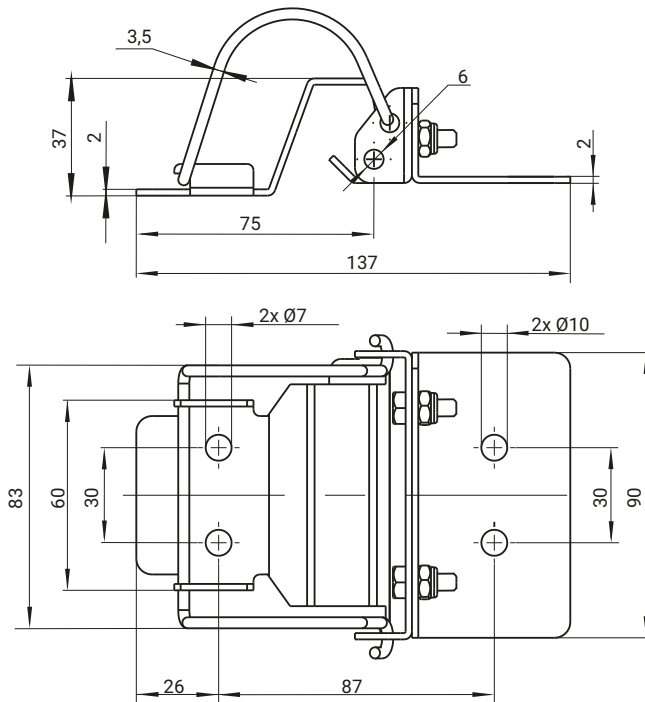


CATALOGUE NO.	COMPONENTS	MATERIAL
3.ST95.001	Holder, Base, Pin	Steel zinc plated
3.ST95.002SN	Holder, Base, Pin	Stainless steel



CATALOGUE NO.	MATERIAL
3.ST120.001SN	Stainless steel