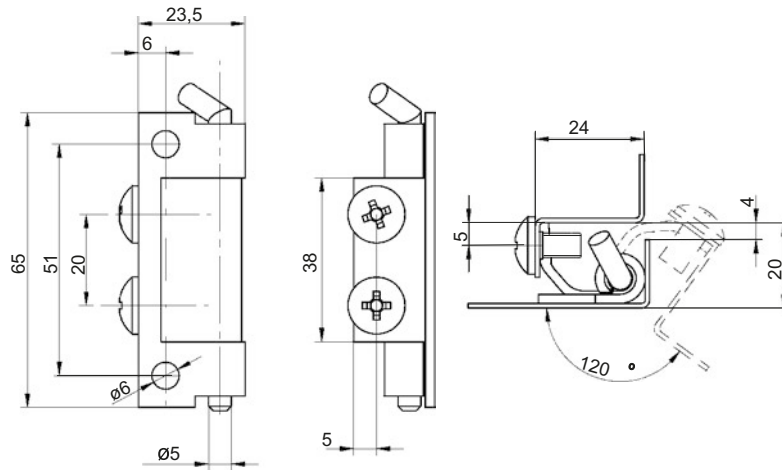
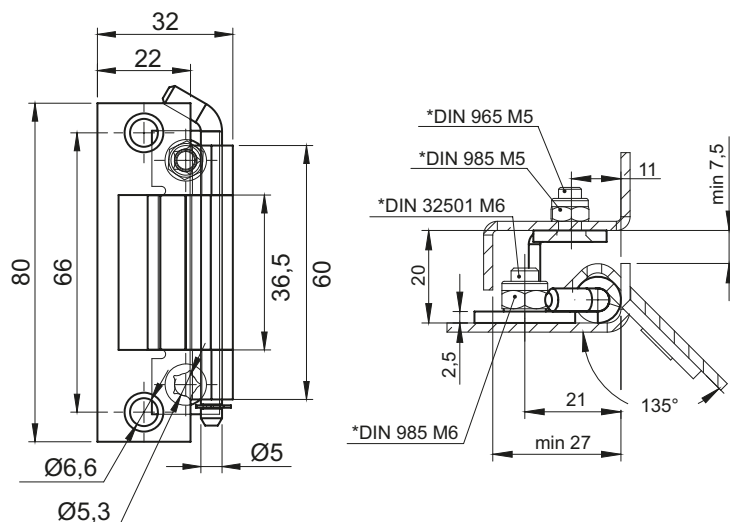
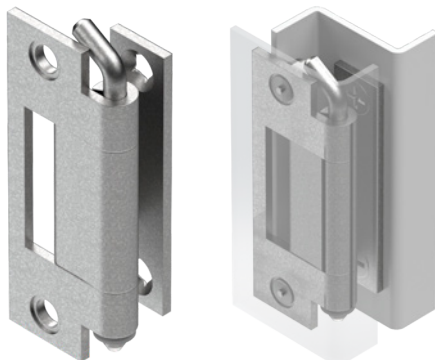


CATALOGUE NO.	COMPONENTS	MATERIAL
3.ST19-2.001	Base, Pin	Steel zinc plated
	Holder	Steel
3.ST19-2.001SN	Holder, Base, Pin	Stainless steel



CATALOGUE NO.	COMPONENTS	MATERIAL
3.537.001	Holder, Base, Pin	Steel zinc plated
3.537.001SN	Holder, Base, Pin	Stainless steel



* To be ordered separately

CATALOGUE NO.	COMPONENTS	MATERIAL
3.ST13.003	Holder, Base, Pin	Steel zinc plated
3.ST13.003SN	Holder, Base, Pin	Stainless steel