

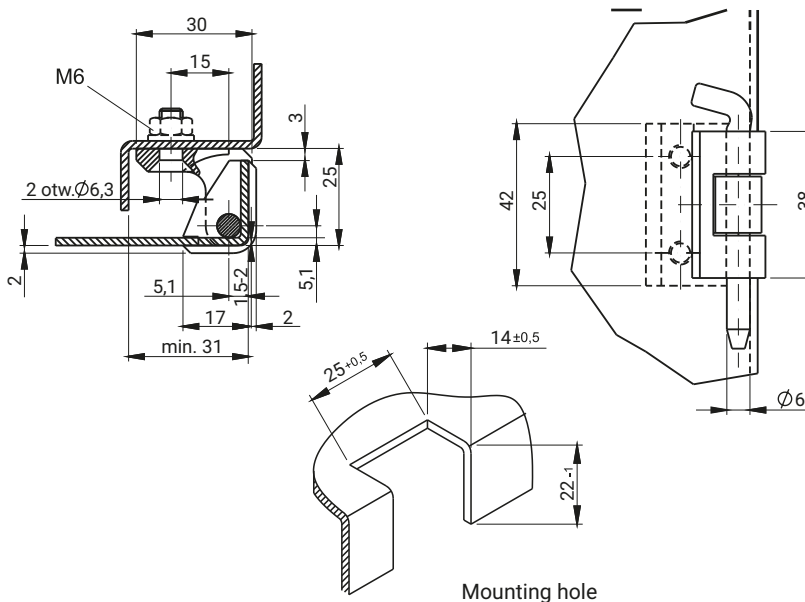
\*\* - with weaning □8x1 mm

Can be ordered without thread

\*\* possibility to order the hinge with the basewith weaning

\* possibility to make a different color

CATALOGUE NO.	COMPONENTS	MATERIAL	FINISH [C]	
			RAL9005	RAL7035
3.ZN80.001	Holder, Base	ZAMAK 5	04	05
	Pin	Steel zinc plated		



\* possibility to make a different color

CATALOGUE NO.	COMPONENTS	MATERIAL	FINISH [C]	
			RAL9005	RAL7035
3.ZN80.002	Holder, Base	ZAMAK 5	04	05
	Pin	Steel zinc plated		

How to order:

Catalogue number

Finish

3.ZN80.001 — C