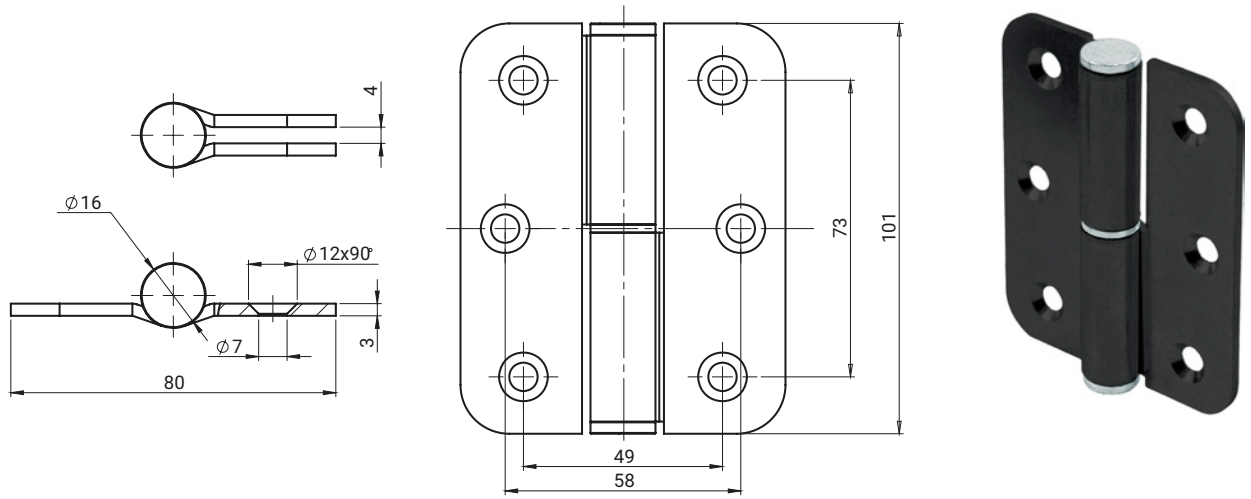


260°

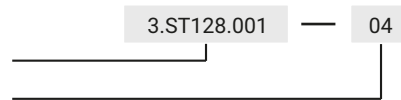
NEW



CATALOGUE NO.	COMPONENTS	MATERIAL	FINISH [C]
			RAL9005
3.ST128.001	Holder, Base	Steel	04
	Pin	Steel zinc plated	-

How to order:

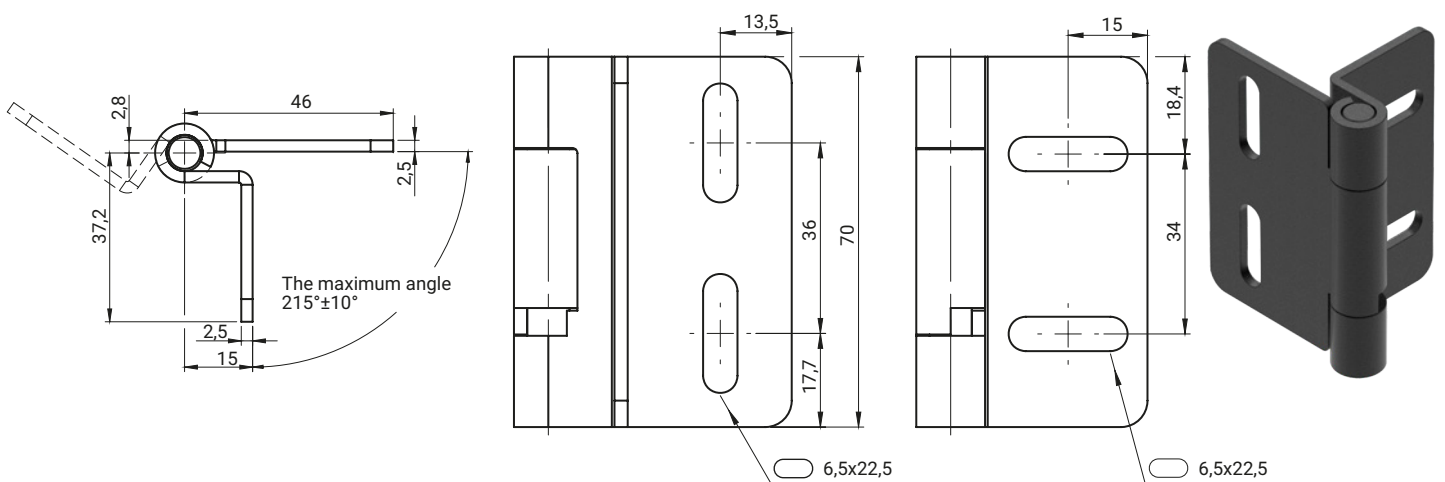
Catalogue number
Finish [C]



215°

NEW

Hinge with an opening angle limiter



CATALOGUE NO.	COMPONENTS	MATERIAL	FINISH [C]
			RAL9005
3.ST155.001	Holder, Base, Pin	Stainless steel	04
			-