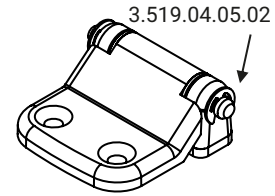
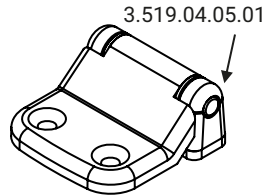
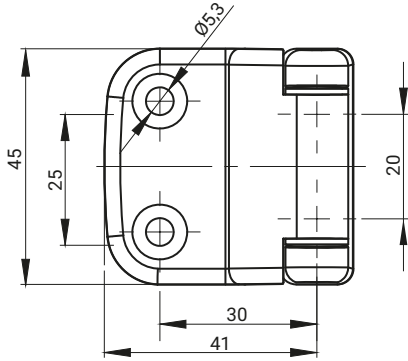


Height H adjusted by distance rings



Bolt version	Z
Knurled pin	01
Pin with groove for circlip (included)	02

CATALOGUE NO.	COMPONENTS	MATERIAL	FINISH [C]	
			Chrome	RAL9005
3.519.C.X.Z	Holder, Base	ZAMAK 5	01	04
	Pin	Stainless steel	-	-
	Sleeve	POM	-	-

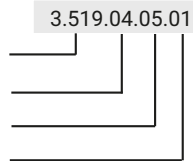
How to order :

Hinge code

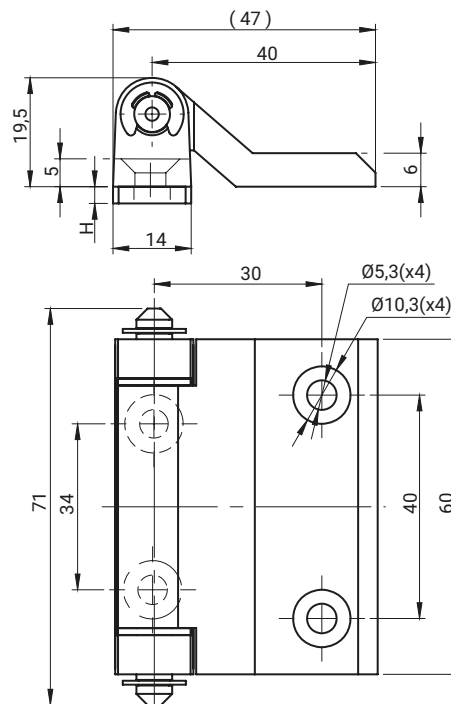
Finish

Height H

Bolt version



H [mm]	0	3	5	8	10	15
X	00	03	05	08	10	15

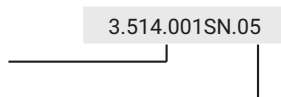


CATALOGUE NO.	COMPONENTS	MATERIAL
3.514.001SN	Holder, Base, Pin	Stainless steel (AISI 316)

How to order :

Catalogue number

Height H [X]



H [mm]	0	3	5	8	10	15
X	00	03	05	08	10	15