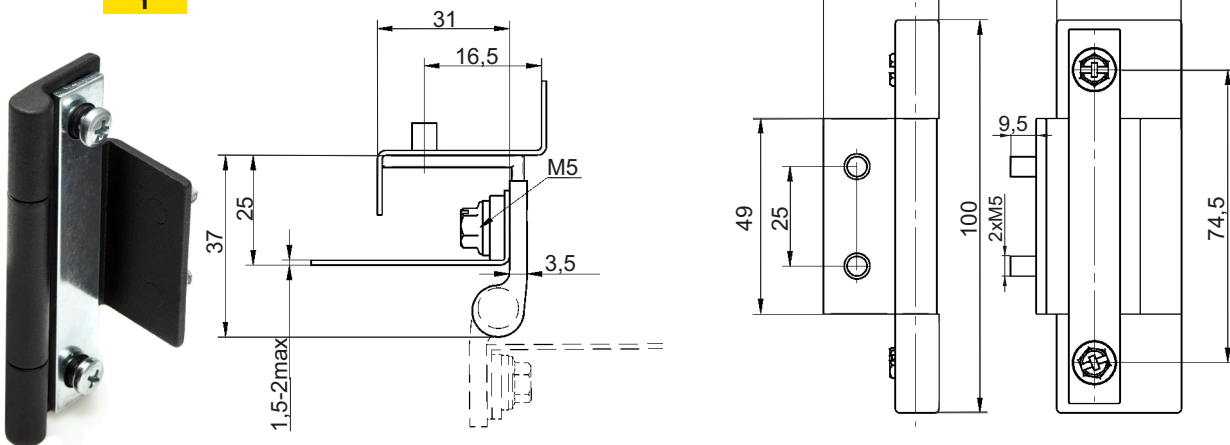


CATALOGUE NO.	COMPONENTS	MATERIAL	FINISH [C]	
			Chrome	RAL 9005
3.532.001*	Holder, Base	ZAMAK 5	01	04
	Pin	Steel zinc plated		

270°



\* possibility to order with polyamide pin

CATALOGUE NO.	COMPONENTS	MATERIAL	FINISH [C]	
			Chrome	RAL 9005
3.536.001	Holder	ZAMAK 5	01	04
	Base	Steel zinc plated		

How to order:

Catalogue number

Finish

