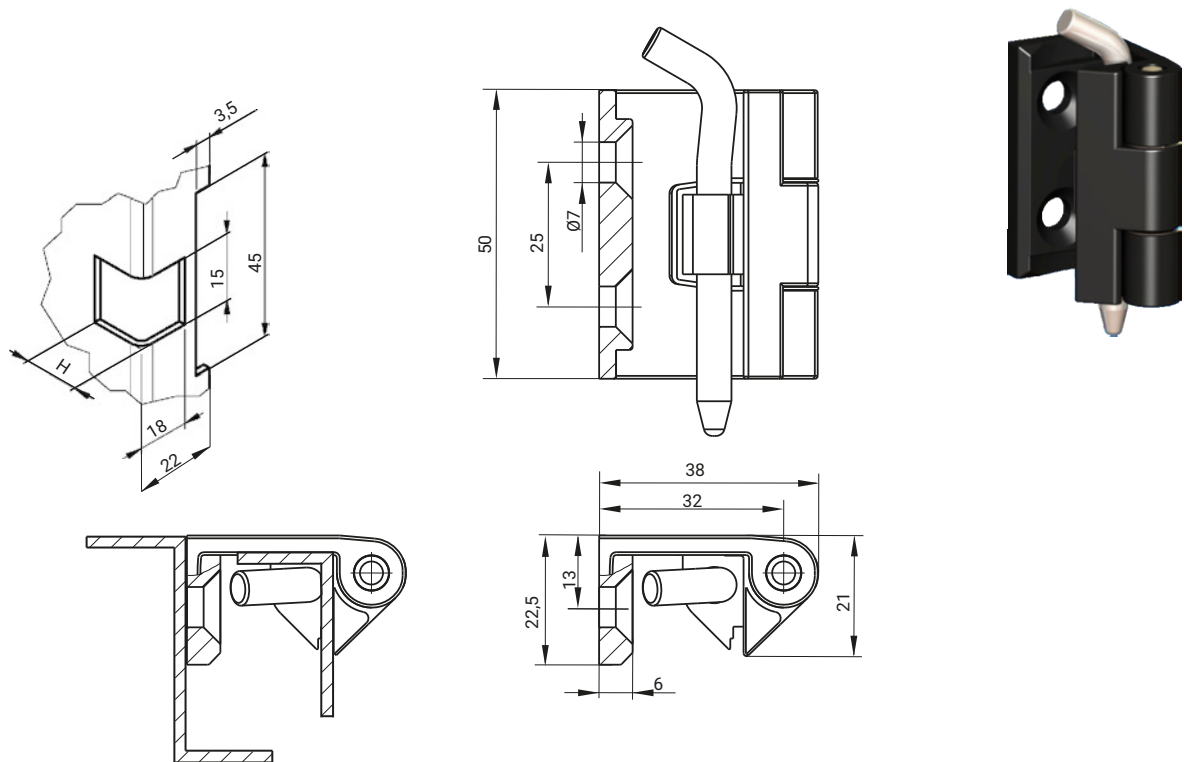
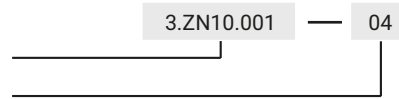


CATALOGUE NO.	COMPONENTS	MATERIAL	FINISH [C]		
			Chrome	RAL 9005	RAL 7035
3.ZN10.001	Holder, Base,	ZAMAK5	04		
	Pin	Steel zinc plated			

How to order:

Catalogue number
Finish



H [mm]	APPLICATION
13	only sheets 1,5 mm
15	only sheets 2 mm

* possibility to order stainless steel pin.

CATALOGUE NO.	COMPONENTS	MATERIAL	FINISH [C]		
			Chrome	RAL 9005	RAL 7035
3.ZN105.001*	Holder, Base	ZAMAK 5	01	04	05
	Pin	Steel zinc plated			

How to order:

Catalogue number
Finish

