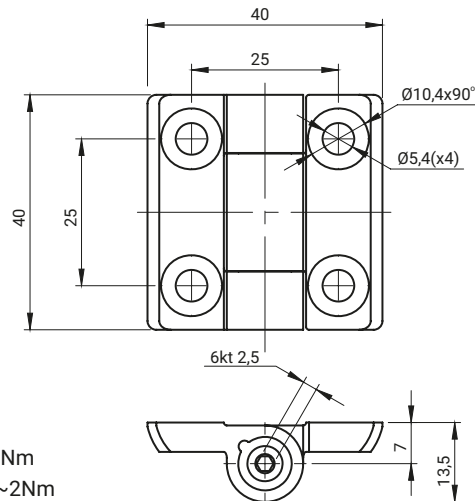


NEW

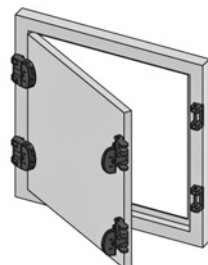
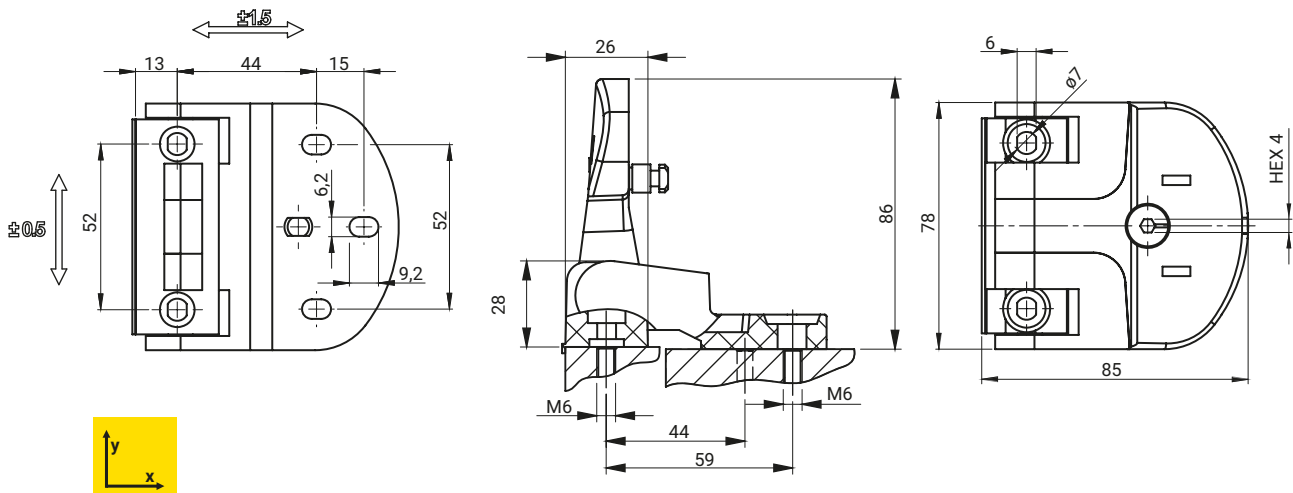


Hinge with adjustable torque

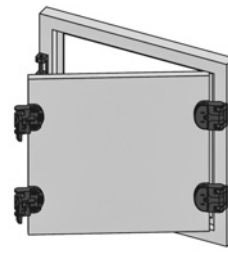


Max. screw tightening torque - 0.5 Nm
 Torque at max. screw tightening - ~2Nm

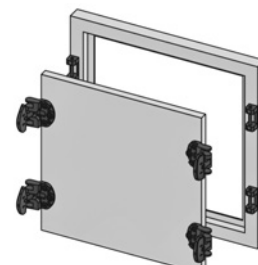
CATALOGUE NO.	COMPONENTS	MATERIAL	FINISH [C]
			RAL9005
3.570.001	Base, Cover	ZAMAK 5	04



Opening the left



Opening the right



Removing the door

CATALOGUE NO.	DETAIL	MATERIAL	FINISH [C]
			RAL 9005
3.ZN200.001	Hinge with lock function	Polyamide	07

How to order:

Catalogue number

Finish

3.ZN200.001

— 07