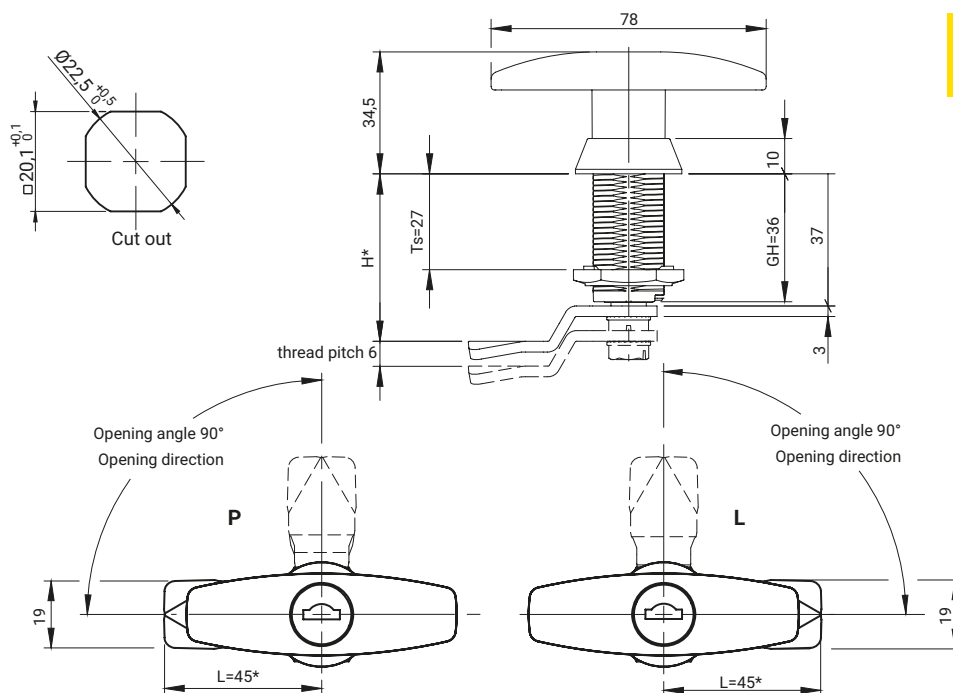


Lock with handle 2.TSA T-Handle Dust Cover 2.904.010



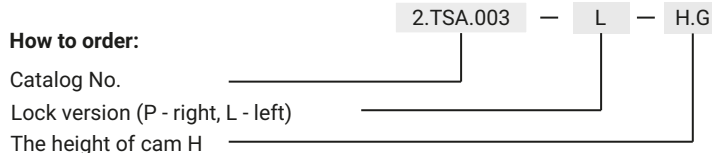
IP65

NEW



Lock in closed position - to open, unlock the cylinder and then turn the handle 180° to the right

CATALOGUE NO.			COMPONENTS	MATERIAL
2.TSA			Housing, Handle	ZAMAK 5
			Cam	Galvanized steel
CATALOGUE NO.			FINISH [C]	
Insert 1333	Insert RK	No Insert	RAL 9005	
2.TSA.002	2.TSA.004	2.TSA.006	RAL 9005	
2.TSA.001	2.TSA.003	2.TSA.005	Chrome	



where:

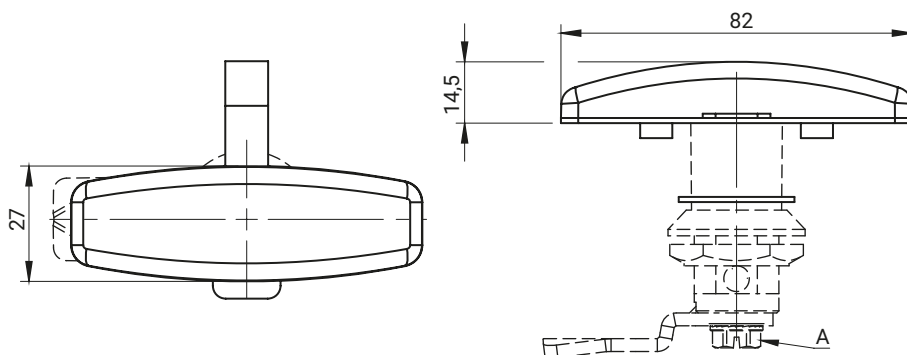
H - the cam unbending dimension

G - cam group

Ts - Thickness door

The lock is fitted with cams from the group: 15, 16, 19, 21, 35, 36, JK1-10018, JK2-10018, J-6000.01, J-6000.02, JK-1610.01, JZ-001 (pg. 1C-12 to 1C-23)

* possibility to make in another dimension



In order to mount the dust cover on the T-handle lock, remove the knob from the lock body by unscrewing the screw (A), then pass the cover through the lock pivot. In order to disassemble repeat in reverse order.

CATALOGUE NO.	COMPATIBLE LOCKS	MATERIAL	FINISH [C]
			RAL 9005
2.904.010	2.T	Polyethylene	07
	1B.RW510		