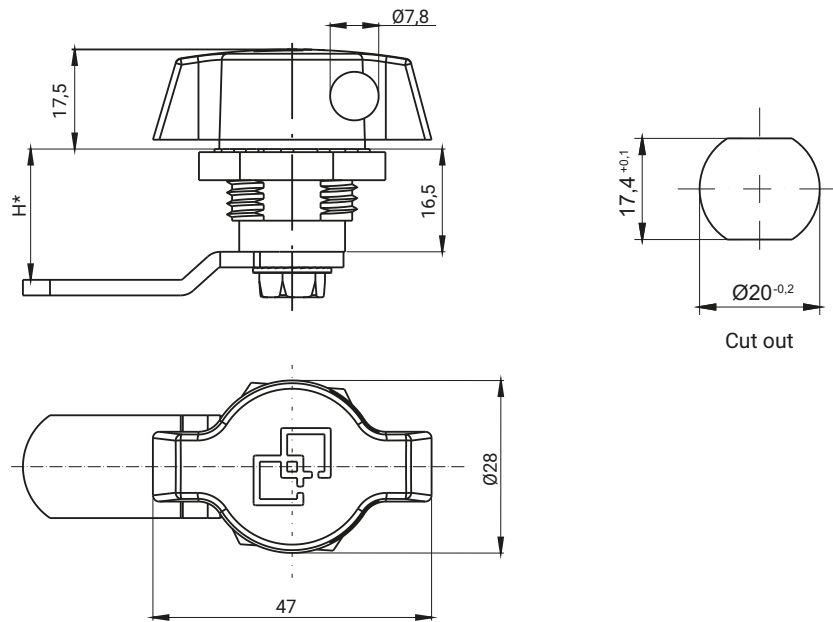


## Lock 2.506, 2.M19

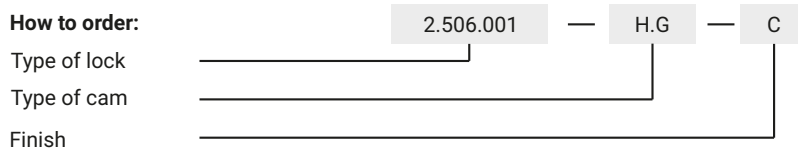


Lock with padlockable mechanism



| TYPE OF LOCK | COMPONENTS    | MATERIAL          | FINISH [C] |
|--------------|---------------|-------------------|------------|
|              |               |                   | Chrome     |
| 2.506.001    | Housing, Knob | ZAMAK 5           | 01         |
|              | Cam           | Steel zinc plated | -          |

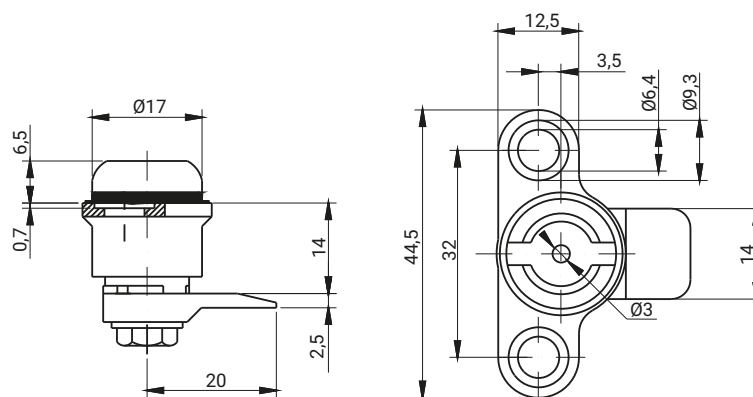
## How to order:



H.G - the cam unbending dimension (H-locking height, G-group)

The lock is fitted with cams from the group: 15, 16, 19, 21, 35, 36, JK1-10018, JK2-10018, J-6000.01, J-6000.02, JK-1610.01, JZ-001 (pg. 1C-12 to 1C-23)

## IP54



| TYPE OF LOCK | COMPONENTS   | MATERIAL | FINISH [C] |
|--------------|--------------|----------|------------|
|              |              |          | Nickel     |
| 2.M19.001    | Housing, Cam | ZAMAK 5  | 02         |

## How to order:

