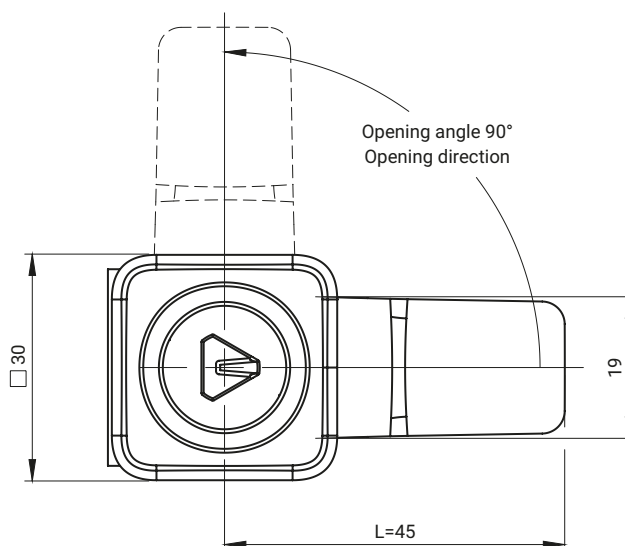
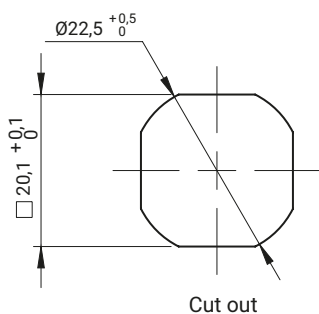
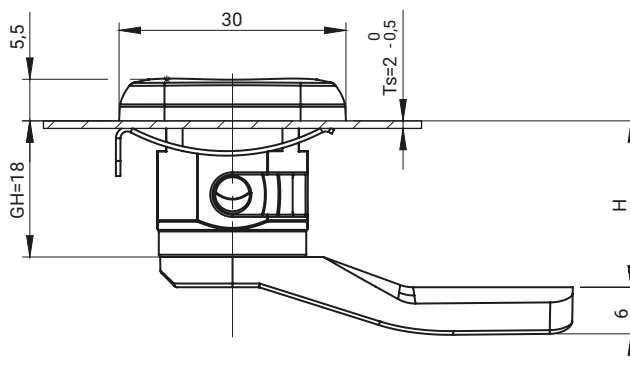


Lock M22DS

with PUR-type foam gasket

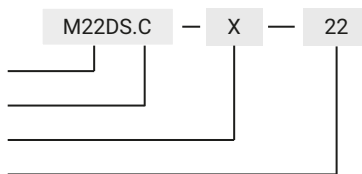


TYPE OF LOCK	COMPONENTS	MATERIAL	FINISH [C]	
			RAL9005	RAL7035
M22DS	Housing	Polyamide PAGF30	07	08
	Housing, Insert	Polyamide PA6		
	Fixing clip	Steel zinc plated		

INSERTS [X]			
D3	D5	KW8	T8

How to order:

- Type of lock
- Housing finish / insert [C]
- Type of insert
- The height of cam H=18, 22, 24



Ts - thickness of metal sheet