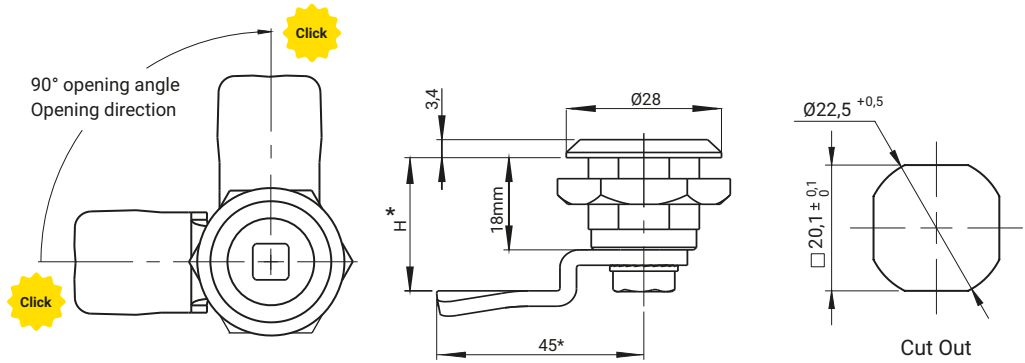


# Lock M22GP4, M22GP5



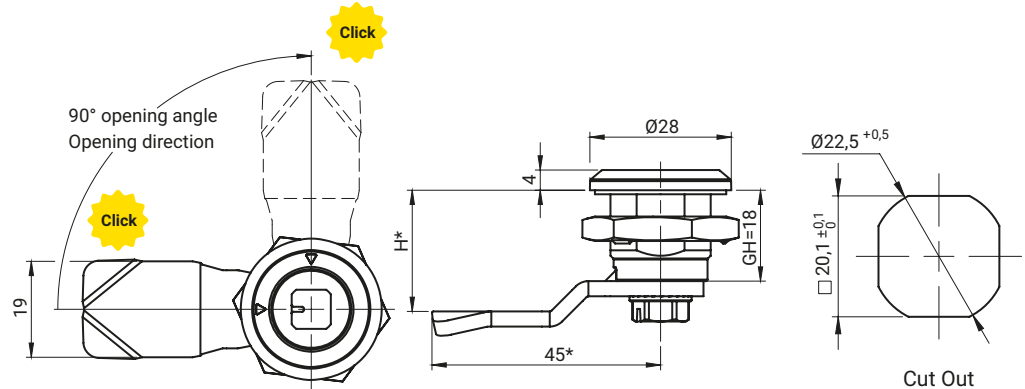
Comments:

Opening and closing the lock is signaled the sound effect

| INSERT [X]   |    |     |           | INSERT FINISH [C] |        |          |          | HOUSING FINISH [K] |          |
|--------------|----|-----|-----------|-------------------|--------|----------|----------|--------------------|----------|
|              |    |     |           | Chrome            | Nickel | RAL 9005 | RAL 7035 | RAL 9005           | RAL 7035 |
| D5           | T8 | KW8 | KW8 inner | 01                | 02     | 04       | 05       | 07                 | 08       |
| TYPE OF LOCK |    |     |           | COMPONENTS        |        |          |          | MATERIAL           |          |
| M22GP4       |    |     |           | Housing           |        |          |          | Polyamide          |          |
|              |    |     |           | Insert            |        |          |          | ZAMAK 5            |          |
|              |    |     |           | Cam               |        |          |          | Steel zinc plated  |          |

How to order:

Type of lock  
Type of housing  
Type of insert  
Type of cam



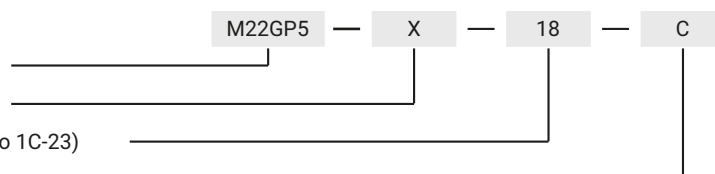
Comments:

Opening and closing the lock is signaled the sound effect

| INSERT [X]   |    |     |           | FINISH [C]      |        |          |          |                   |  |
|--------------|----|-----|-----------|-----------------|--------|----------|----------|-------------------|--|
|              |    |     |           | Chrome          | Nickel | RAL 9005 | RAL 7035 |                   |  |
| D5           | T8 | KW8 | KW8 inner | 01              | 02     | 04       | 05       |                   |  |
| TYPE OF LOCK |    |     |           | COMPONENTS      |        |          |          | MATERIAL          |  |
| M22GP5       |    |     |           | Housing, insert |        |          |          | ZAMAK 5           |  |
|              |    |     |           | Cam             |        |          |          | Steel zinc plated |  |

How to order:

Type of lock  
Type of insert  
Height of cam H= 18, 21, 24 (1C-10 to 1C-23)  
Finish



\* possibility to make in another dimension

If you order a custom cam, please contact your dealer for further details.