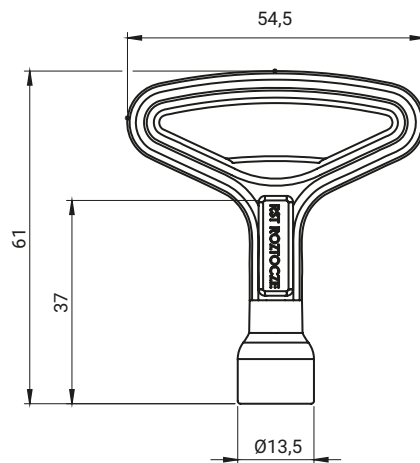
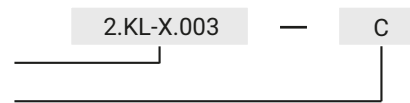


CATALOGUE NUMBER				MATERIAL			
2.KL-X.003				ZAMAK 5			
TYPE OF KEY [X]				FINISH [C]			
				No finish	Chrome	Nickel	RAL 9005
D3	D5	T9	KW8	00	01	02	04

How to order:

Catalogue number, type o key [X]

Finish



Possibility of making logo key on request.

CATALOGUE NUMBER						MATERIAL			
2.KL-X.004						ZAMAK 5			
TYPE OF KEY [X]						FINISH [C]			
						No finish	Chrome	Nickel	RAL 9005
D3	D5	T7	T8	T9	KW8	00	01	02	04

How to order:

Catalogue number, type o key [X]

Finish

