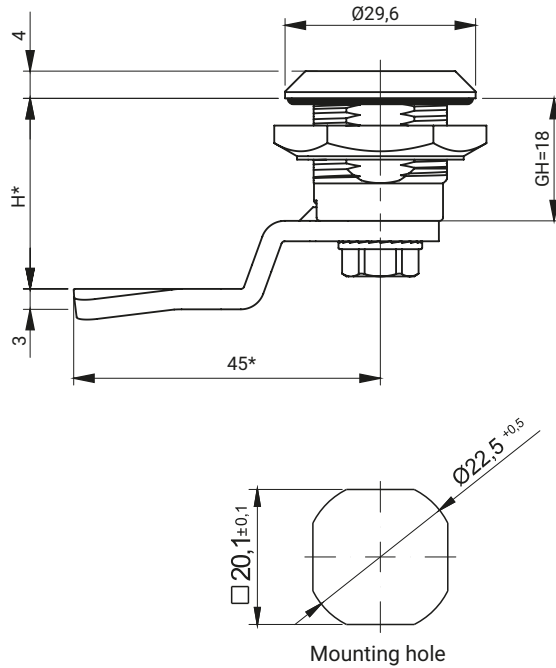


Lock M22-8

with PUR-type foam gasket



M22-8 - Lock type with PUR-type foam gasket

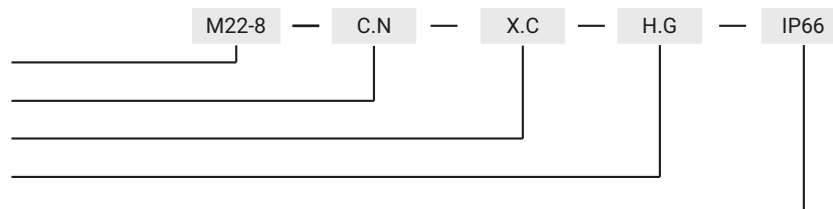
FINISHING TYPE OF THE INSERT AND THE BODY [C]				THE TYPE OF THE NUT [N]		
ZAMAK 5					ZAMAK 5	Steel
Chrome	Nickel	RAL 9005	RAL 7035	Nut without grounding	11	13
01	02	04	05	Nut with grounding	21	23

TYPE OF THE MATERIAL OF THE INSERT	INSERTS [X]												
	D3	D5	T8	T9	KW8	C9	S	HEX8	HEX10	Q	M11 M12	M2	M3
ZAMAK 5	●	●	●	●	●	●	●	●	●	●	***	***	***

* Can be ordered in other sizes
 ** Lock for special request.
 *** Precise description of inserts M1, M2, M3, check pg. 2A-10

How to order:

Type of lock
 Type of body
 Type of insert
 Type of cam
 IP65/IP66** class



where C,N, G stand for:
 C - type of the material and finishing of the surface
 N - type of nut
 H.G - the cam unbending dimension

Notice:
 The lock is fitted with cams from the group: 12, 14, 17, 17A, 18, 32, 34, JK1-16018, JK2-16018, J-6000.03, J-6000.04, JK-1610.01, JZ-002 (pg. 1C-10 to 1C-23)