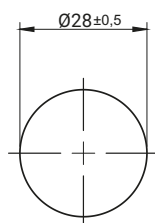
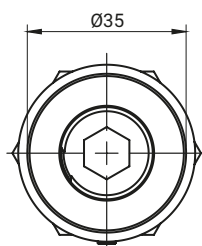
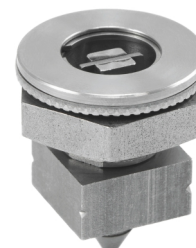
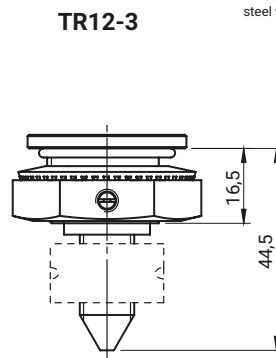
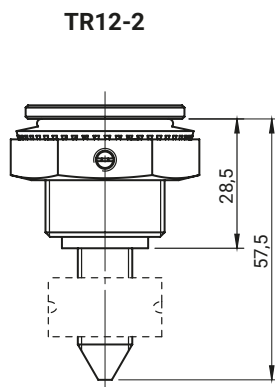
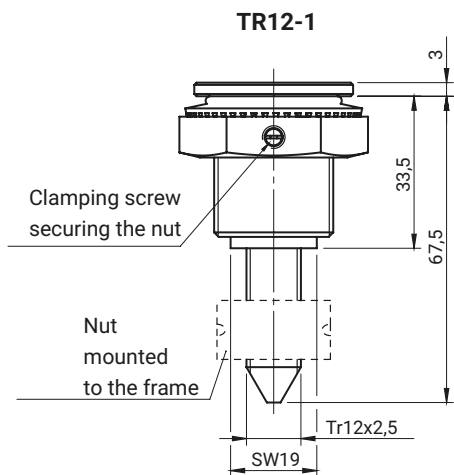




for stainless steel version

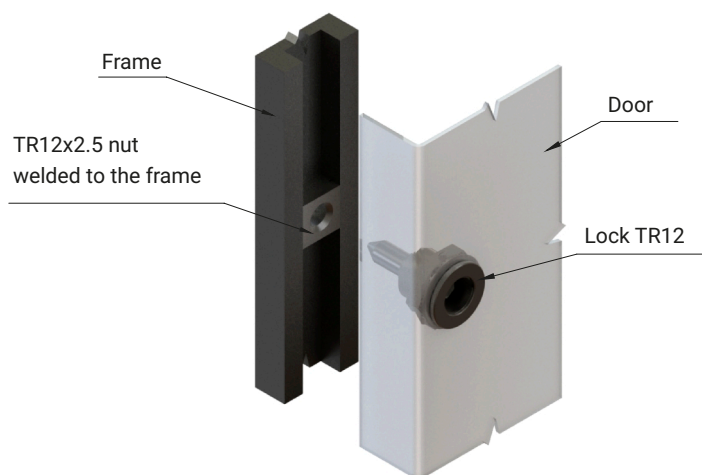
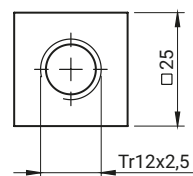


stainless steel



Cut out

Nut TR12x2,5



CATALOGUE NO.	INSERTS [D]			COMPONENTS	MATERIAL
TR12-1				Housing, Insert	Stainless steel
TR12-2					
TR12-3	KW8-4	HEX10	KW9-7		
TR12x2,5	-			Nut	Stainless steel

How to order:

Catalogue number

Type of insert

TR12-1 — HEX10

Nut TR12x2,5 to be ordered separately