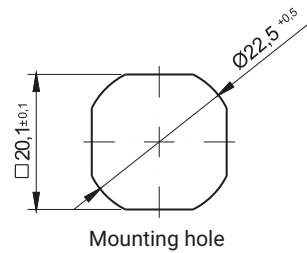
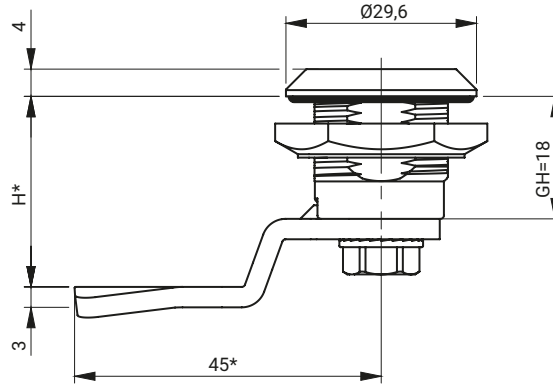


Lock M22-7

with PUR-type foam gasket

IP65

IP66**



M22-7 - Lock type with PUR-type foam gasket

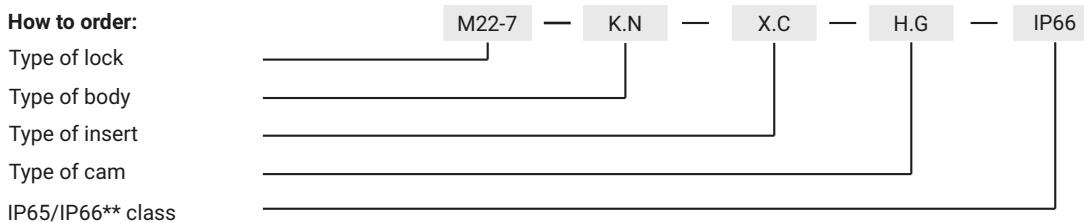
TYPE OF BODY [K]		MATERIAL AND FINISHING OF THE INSERT [C]					
Polyamide		Polyamide			ZAMAK 5		
RAL 9005	RAL 7035	RAL 9005	RAL 7035	Chrome	Nickel	RAL 9005	RAL 7035
07	08	07	08	01	02	04	05

TYPE OF THE MATERIAL OF THE INSERT	INSERTS [X]													
	D3	D5	T8	T9	KW8	C9	S	HEX8	HEX10	Q	M11	M12	M2	M3
Polyamide	●	●	●	-	●	-	●	-	-	-	***	***	***	***
ZAMAK 5	●	●	●	●	●	●	●	●	●	●	***	***	***	***

THE TYPE OF THE NUT [N]			
	ZAMAK 5	Polyamide	Steel
Nut without grounding	11	12	13

* Can be ordered in other sizes
 ** Lock for special request
 *** Precise description of inserts M1, M2, M3, check pg. 2A-10

How to order:



where C,N, G stand for:
 C - type of the material and finishing of the surface
 N - type of nut
 H.G - the cam unbending dimension

Notice:
 The lock is fitted with cams from the group: 12, 14, 17, 17A, 18, 32, 34, JK1-16018, JK2-16018, J-6000.03, J-6000.04, JK-1610.01, JZ-002 (pg. 1C-10 to 1C-23)