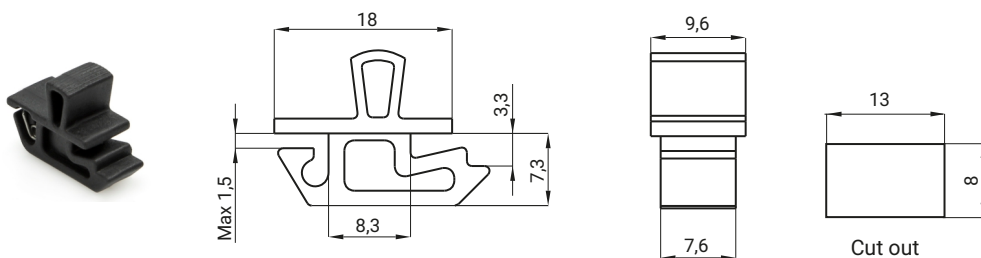


Closing snap :

-2.509.001A dedicated to sheet thickness 1,2 mm-1,6 mm

-2.509.001B dedicated to sheet thickness 1,75 mm-2,2 mm

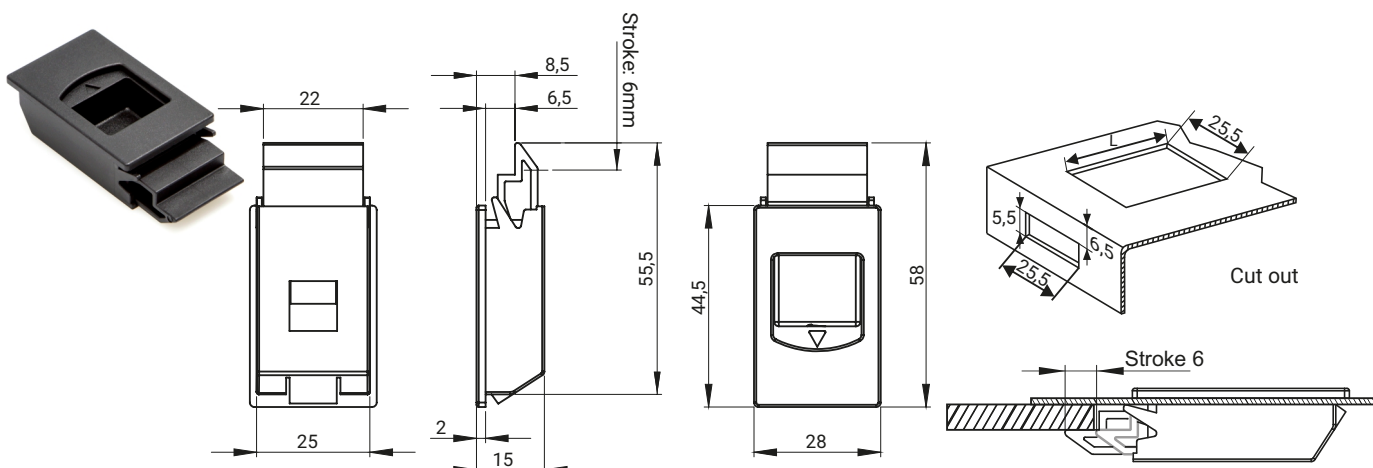
CATALOGUE NO.	DIMENSION [H]	FINISH & MATERIAL [C]	
		RAL9005 - ABS	RAL7035 - PA6
2.509.001A	1,8	07	08
2.509.001B	2,5		



Closing snap:

-2.509.002 dedicated to sheet thickness 1 mm - 1,5 mm

CATALOGUE NO.	COMPONENTS	MATERIAL	FINISH [C]	
			RAL9005	RAL7035
2.509.002	Housing	Polyamide	07	08



For sheets: 0.8 - 1.6 mm L = 37.3 + 0.9 mm
For sheets: 1.7 - 2.0 mm L = 38.7 + 0.2 mm

CATALOGUE NO.	COMPONENTS	MATERIAL	FINISH [C]	
			RAL9005	RAL7035
2.509.003	Housing, sliding portion	Polyamide	07	08

How to order:

Type of lock

Finish

2.509.001A — C