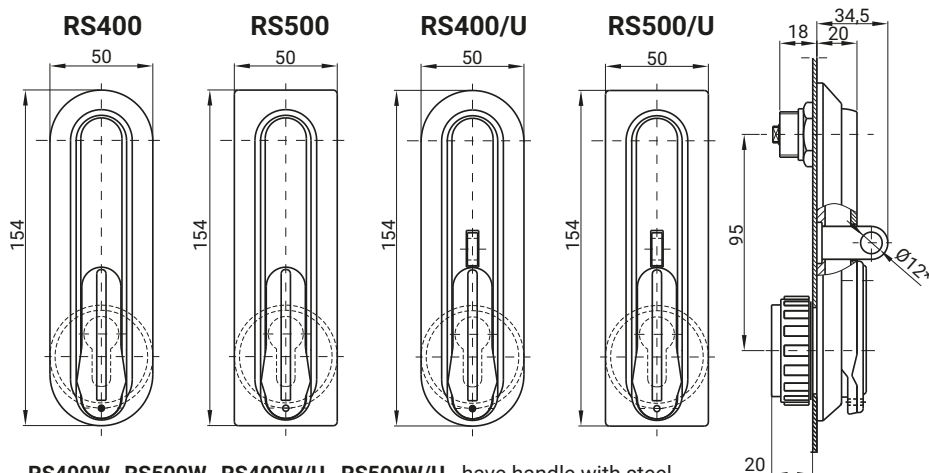
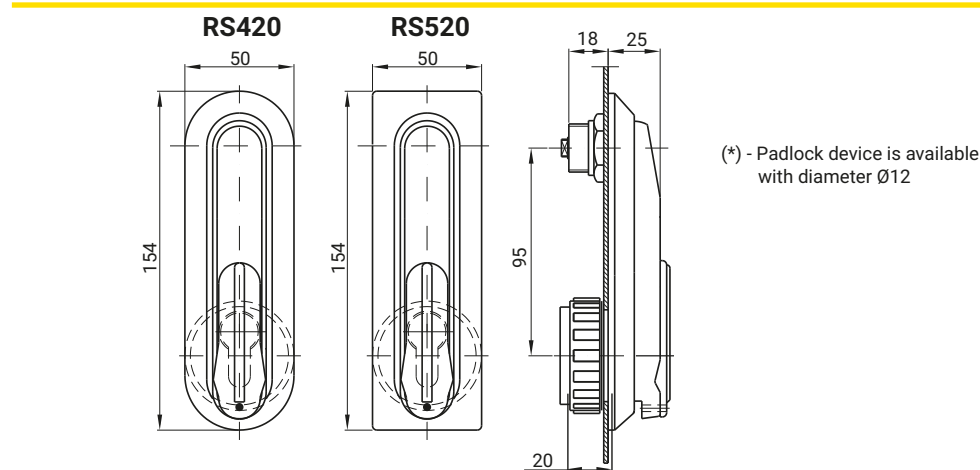
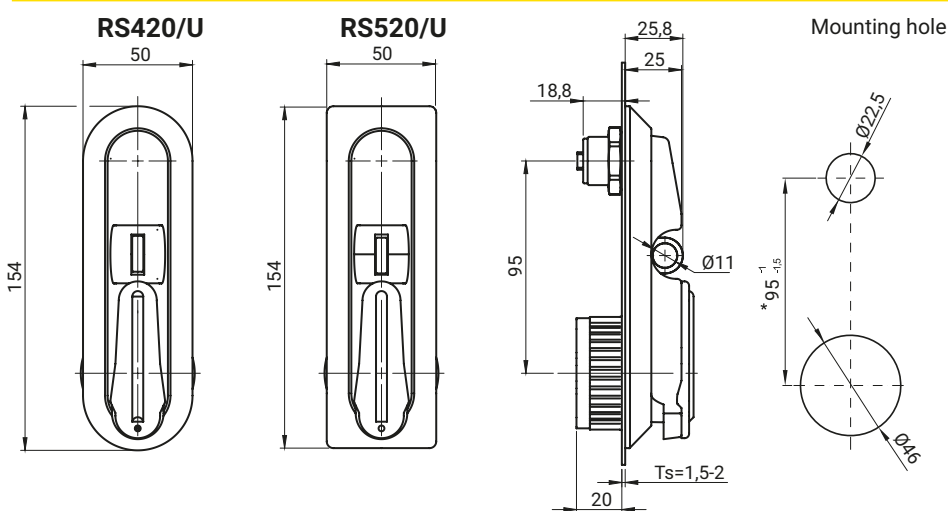


Swinghandle

RS400, RS400W, RS400/U, RS400W/U, RS420, RS420/U, RS500, RS500W, RS500/U, RS500W/U, RS520, RS520/U



RS400W, RS500W, RS400W/U, RS500W/U - have handle with steel strengthening inside



• Additionally there is a possibility of putting company logo on a dust cover

TYPE OF LOCK		COMPONENTS	MATERIAL	FINISH [C]	
				RAL 9005	RAL 7035
RS400	RS500	Housing, handle	Polyamide PA6	07	08
RS400W	RS500W				
RS400/U	RS500/U				
RS400W/U	RS500W/U				
RS420	RS520				
RS420/U	RS520/U				

