

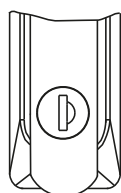
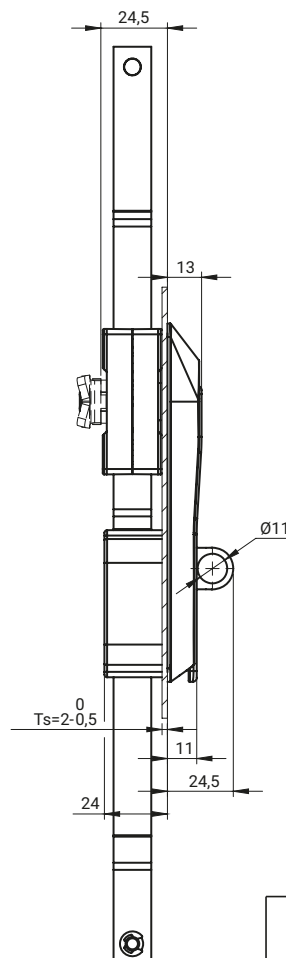
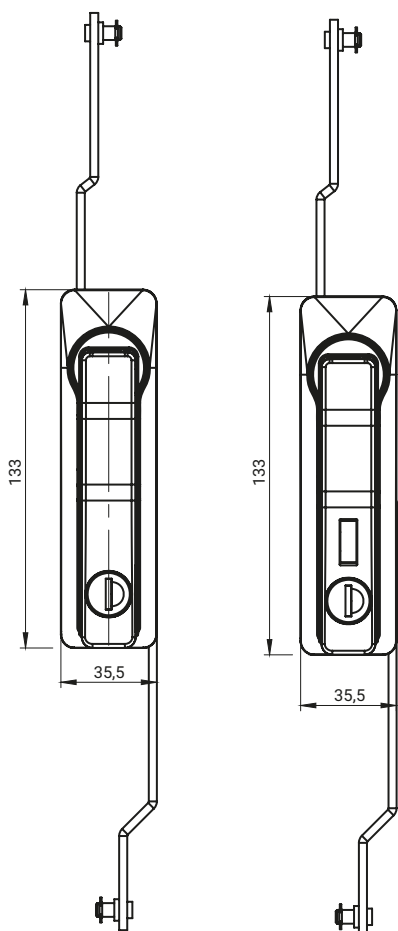


RS170

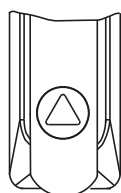
RS169B

RS170

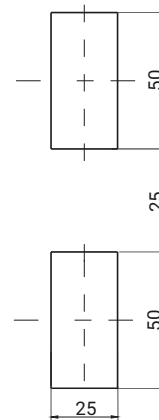
RS169B



Version A



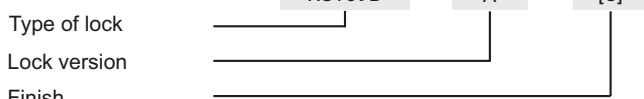
Version B



Mounting hole

TYPE OF LOCK	COMPONENTS	MATERIAL	VERSION		FINISH [C]
					RAL 9005
RS169B RS170	Body, Handle	ZAMAK 5	A	B	04

How to order:



Handle supplied as a complete set under gear mechanism.
Further components to be ordered separately:

- Cam 1 point (groups: 11,13) pg.: 1C-10, 1C-11
- Flat bars pg.: 1C-34 to 1C-40

where:

Ts - mounting plate thickness