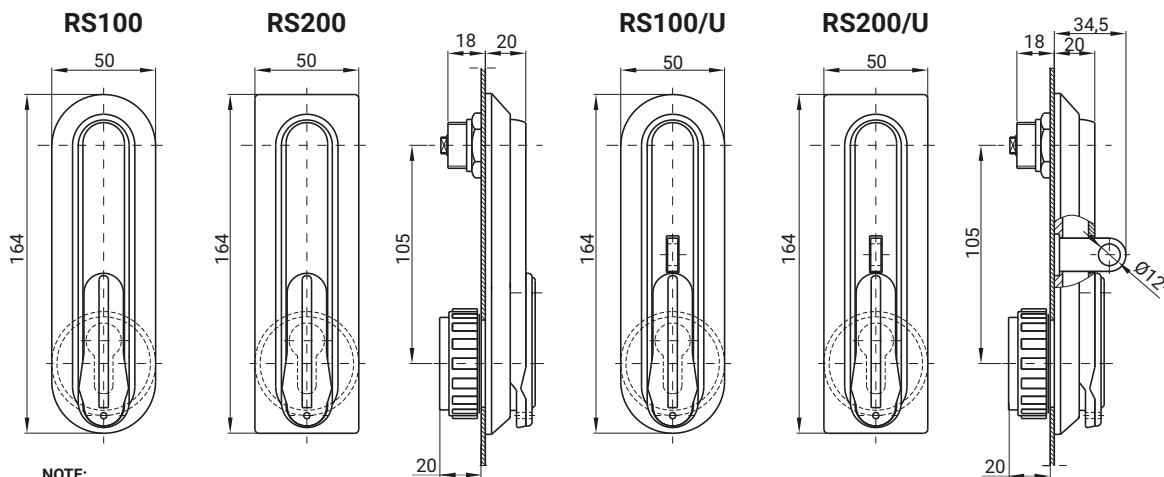


Swinghandle RS100, RS200, RS100/U, RS200/U, RS100/T, RS200/T



NOTE:

- When ordering swinghandle RS100, RS200 for **internal lock**, you should add letters e.g. (RS100ZW, RS200ZW).
- When ordering swinghandle RS100, RS200, for **internal lock panik**, you should add letters ZWP e.g. (RS100ZWP, RS200ZWP)

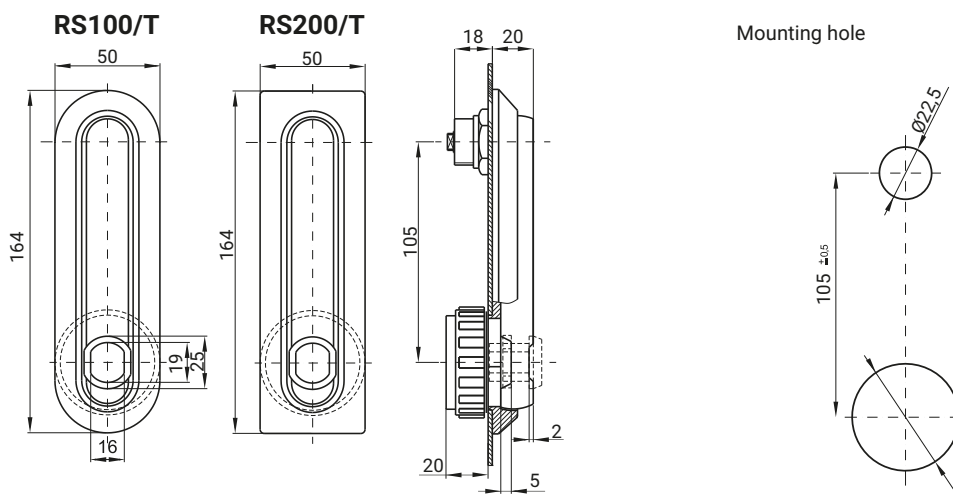
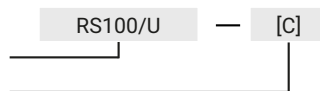
(*) - Padlock device is available with diameter Ø12

• Additionally there is a possibility of putting company logo a dust cover

TYPE OF LOCK	COMPONENTS	MATERIAL	
RS100	Housing	Polyamide PA6	
RS200			
RS100/U	Housing Padlock device	Polyamide PA6	
RS200/U		ZAMAK5	
MATERIAL AND FINISH [C]			
ZAMAK 5		POLYAMIDE PA6	
RAL 9005	RAL 7035	RAL 9005	RAL 7035
04	05	07	08

How to order:

Type of lock
Material handle, finish



TYPE OF LOCK	COMPONENTS	MATERIAL	FINISH [C]	
			RAL 9005	RAL 7035
RS100/T	Housing, Handle	Polyamide PA6	07	08
RS200/T				