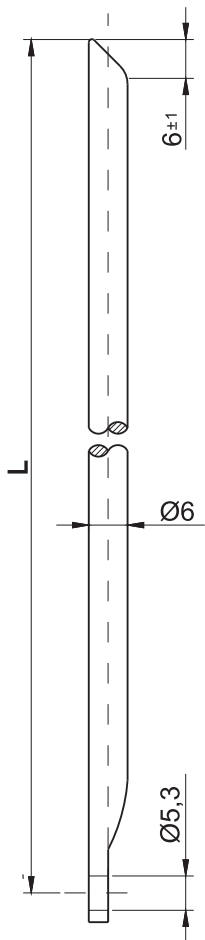
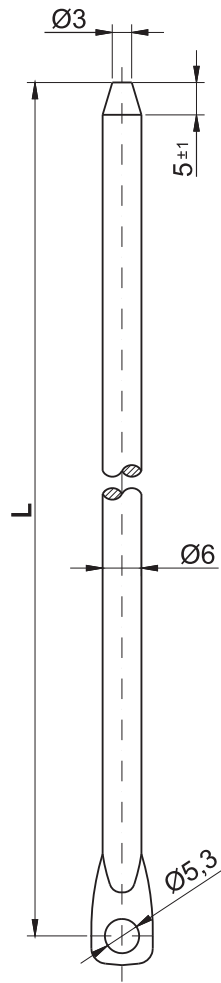


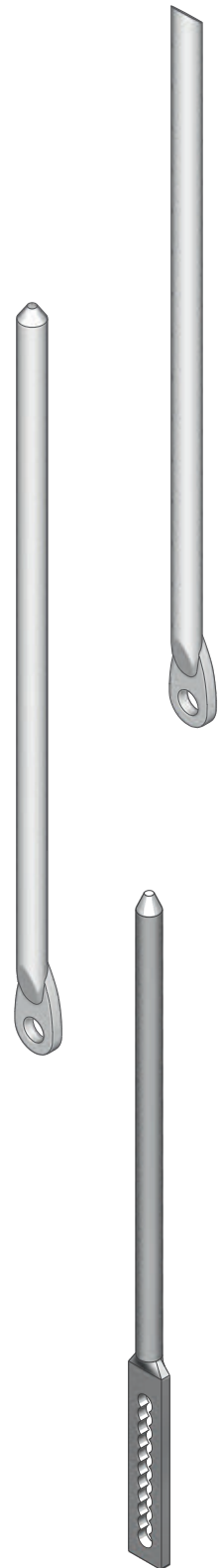
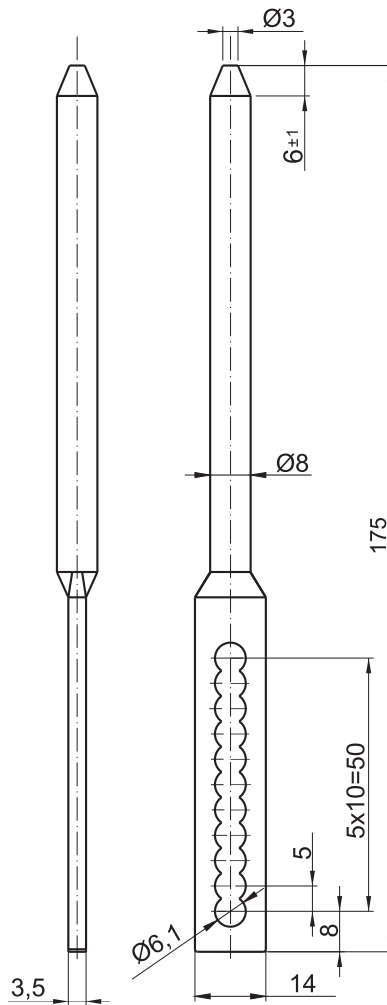
**ROD with Cut End  
(P26L)**



**ROD with Pointed End  
(P26L)**



**ROD with Pointed End (regulated)  
(PR28L)**



## CALCULATING RODS' LENGHT

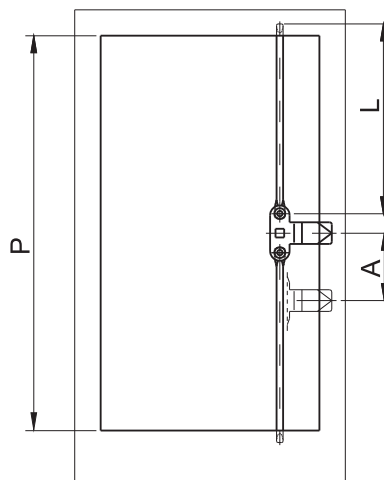
a) 3- point cam assembled in the middle of the door:

$$L = \frac{P - 12\text{mm}}{2}$$

b) in case, when cam is moved about dimension A:

L= in calculated like in point a) but:  
 - upper rod  $L_w = L + A$   
 - lower rod  $L_n = L - A$

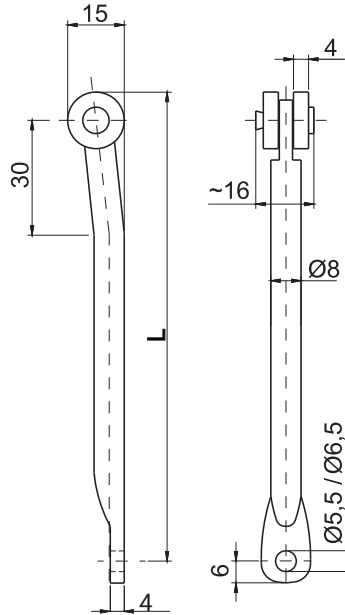
L - length of rod [mm]



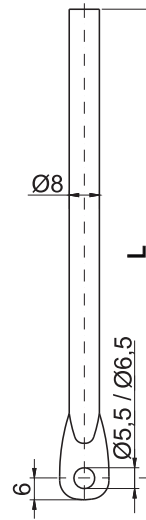
CAT. NUMBER	NAME	MATERIAL
P16 L	Rod with cut end	Steel zinc plated
P26 L	Rod with pointed end	Steel zinc plated
PR28 L	Rod with pointed end (regulated)	Steel zinc plated



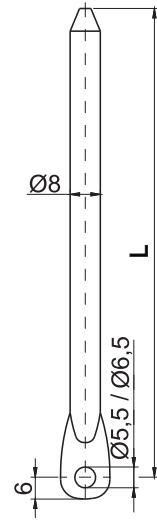
**ROD with Rollers  
(P38 L)**



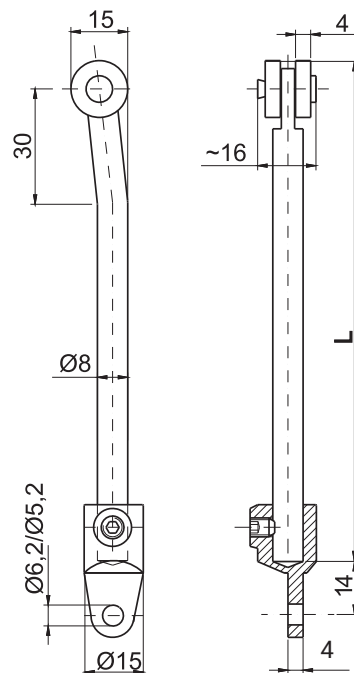
**ROD with Flat End  
(P48 L)**



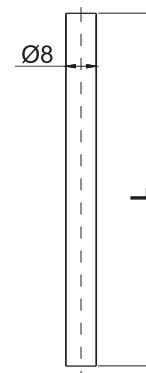
**ROD with Pointed End  
(P28 L)**



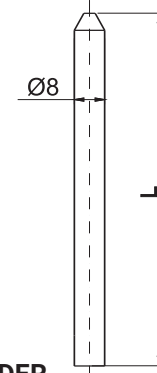
**ROD wit Rollers  
(P38/U L)  
(used with Rod Holder)**



**ROD with Flat End  
(P48/U L)  
(used with Rod Holder)**



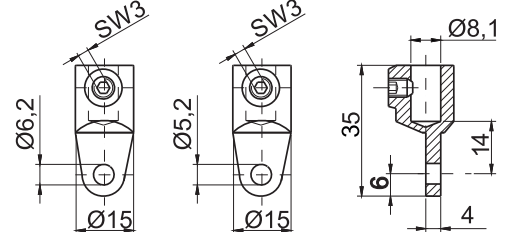
**ROD with Pointed End  
(P28/U L)  
(used with Rod Holder)**



**ROD HOLDER**

nr 1C.904.051

nr 1C.904.050



L - length of rod [mm]

CAT. NUMBER	NAME	MATERIAL
P28 L	Rod with pointed end	Steel zinc plated
P38 L	Rod with rollers	Steel zinc plated, rollers-PA6
P48 L	Rod with flat end	Steel zinc plated
P28/U L	Rod with pointed end (adjustable)	Steel zinc plated
P38/U L	Rod with rollers (adjustable) Length adjustable by Rod holder	Steel zinc plated, rollers-PA6
P48/U L		Steel zinc plated
1.C.904.051,1C.904.050	Rod holder	ZAMAK - zinc plated
1C.904.052	Rod holder	Stainless Steel