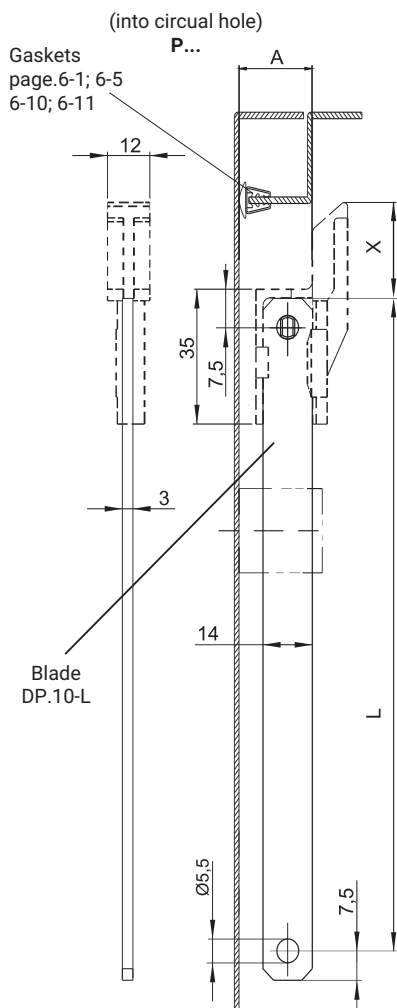
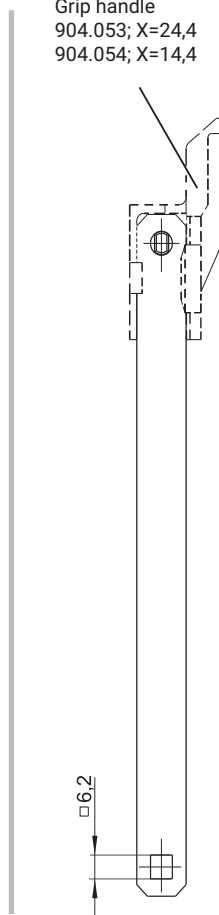


FLAT ROD ver. D

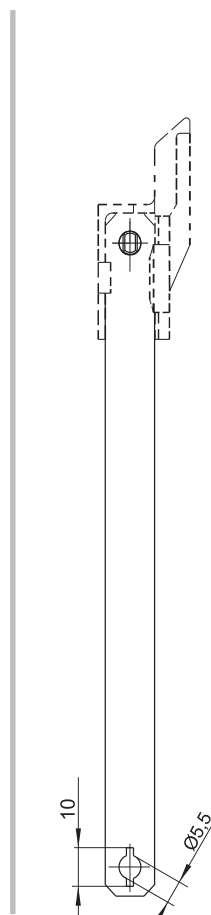


(into square hole)
PK...

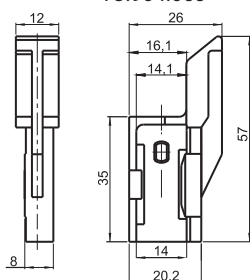
Grip handle
904.053; X=24,4
904.054; X=14,4



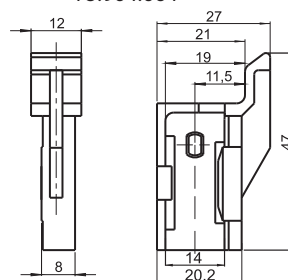
(into shape hole)
PP...



GRIP HANDLE
1C.904.053



GRIP HANDLE
1C.904.054



| CAT. NUMBER | | NAME | DIMENSION | | MATERIAL |
|--|--------------|----------------------------------|-----------|-------------------------------|--|
| Steel zinc plated | Steel 1.4301 | | L | | |
| DP.01 - L | DP.02 - L | Band pressing into circular hole | 400 | Other dimensions to be agreed | Band pressing - steel zinc plated, stainless steel |
| DPK.01 - L | DPK.02 - L | Band pressing into square hole | 500 | | |
| | | | 600 | | |
| DPP.01 - L | DPP.02 - L | Band pressing into shaped hole | 700 | | |
| | | | 800 | | |
| | | | 900 | | |
| | | | 1000 | | |
| | | | A | | |
| 1C.904.053 | | Grip handle | 17,5 | | PA-6 RAL9005 |
| 1C.904.054 | | | 22,5 | | |
| <ul style="list-style-type: none"> • Order example: A23K-300 means band pressing 3x14mm, dimension A=23, length of L=300mm into square • Capability of execution flat according to individual orders | | | | | |