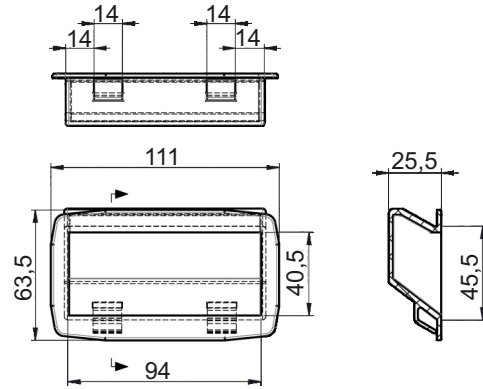
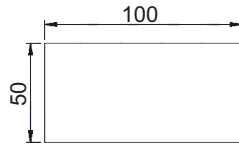


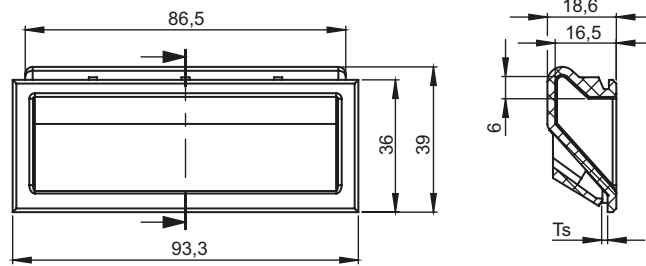


Mounting holes

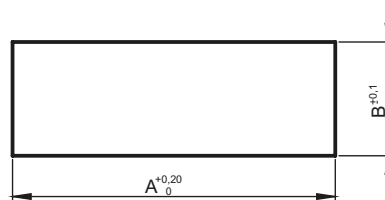


Thickness of metal sheet Ts

CAT. NUMBER	Ts	MATERIAL	FINISH [C]
			RAL 9005
4.102.001	1,2 - 1,6	Polyamide PA6	07
4.102.003	0,8 - 1,2	Polyamide PA6	07



Mounting holes



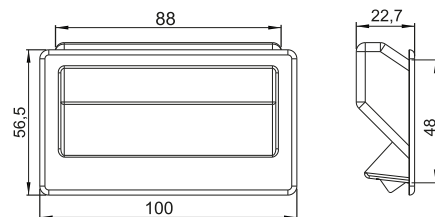
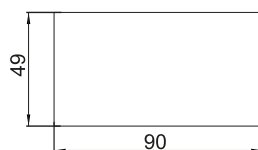
Ts	A	B
1,2 - 1,6	87	30,7
1,75 - 2,2	87	31,5

Ts - Thickness of metal sheet

CAT. NUMBER	MATERIAL	FINISH [C]
		RAL 9005
4.102.002	ABS	07



Mounting holes



Thickness of metal sheet Ts= 1,0 - 2,5mm

CAT. NUMBER	MATERIAL	FINISH [C]
		RAL 9005
4.470.001	Polyamide PA6	07