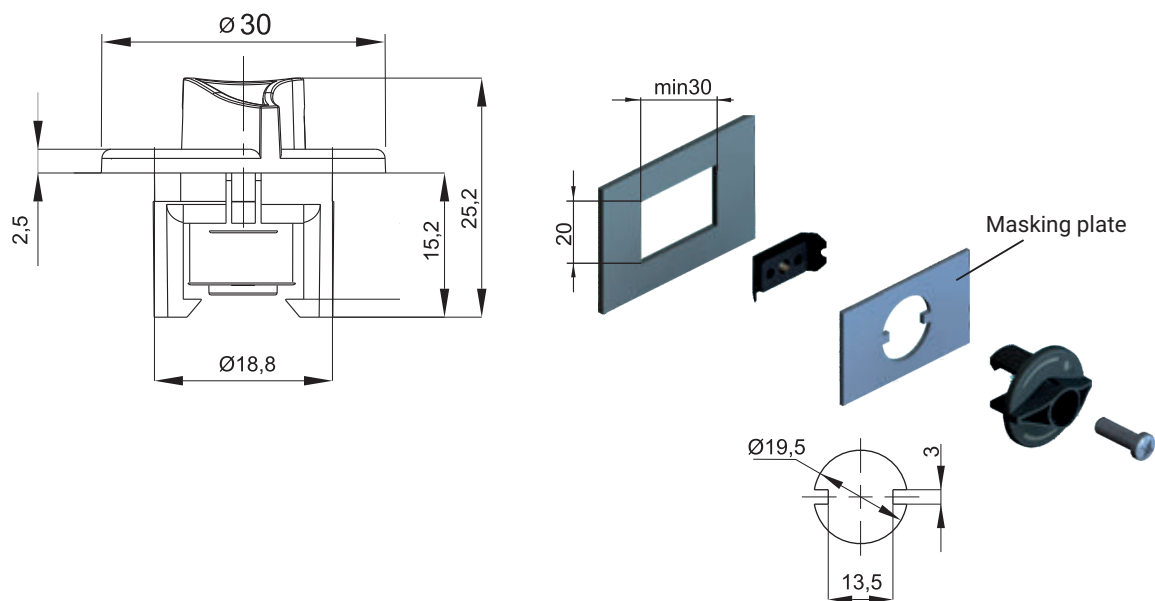


CAT. NUMBER	NAME	MATERIAL
4.415.001	Masking plate holder	Polyamide



CAT. NUMBER	NAME	MATERIAL
4.414.001	Masking plate holder	Polyamide

* possibility order parts according to RAL