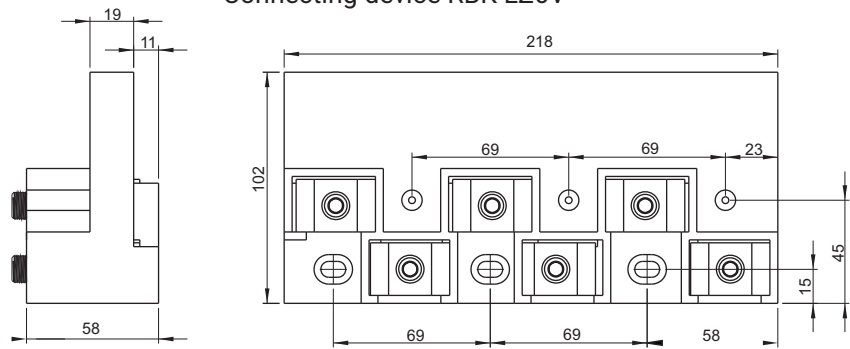




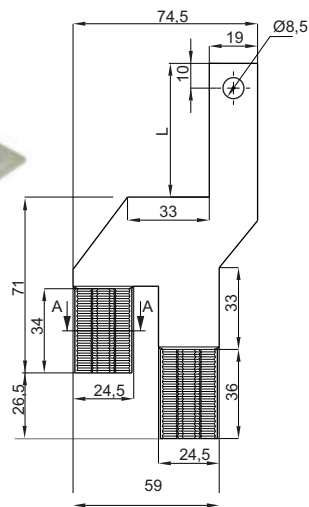
Connecting device RBK LZ6V



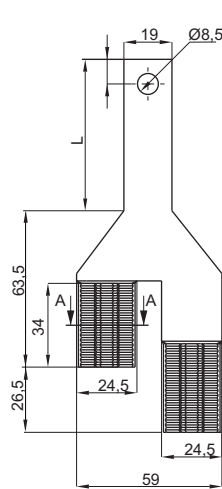
Terminals for connecting device 4.601.001



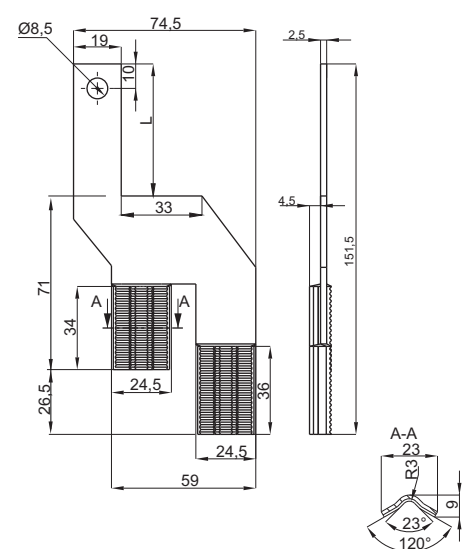
4.601.101, 4.601.201



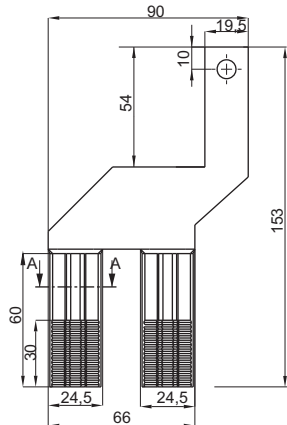
4.601.102



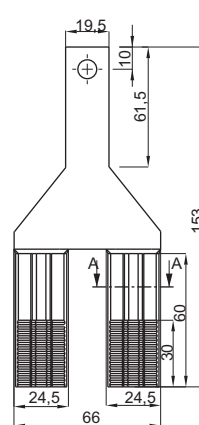
4.601.103, 4.601.203



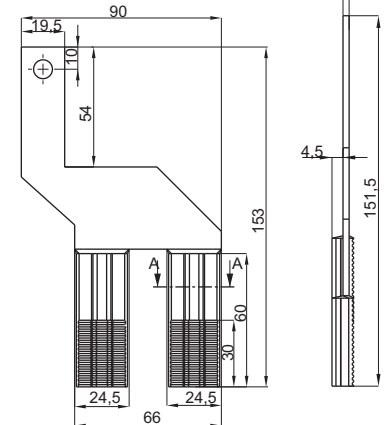
4.601.401



4.601.402



4.601.403



CATALOGUE NUMBER	NAME	MATERIAL	L [mm]
4.601.001	Connecting device LZ6V	Polyamide PA6 - colour white	-
4.601.101	Terminals	Tin-plated copper	54
4.601.201			42
4.601.102			63,5
4.601.202			50
4.601.103			54
4.601.203			42
4.601.401			-
4.601.402			-
4.601.403			-