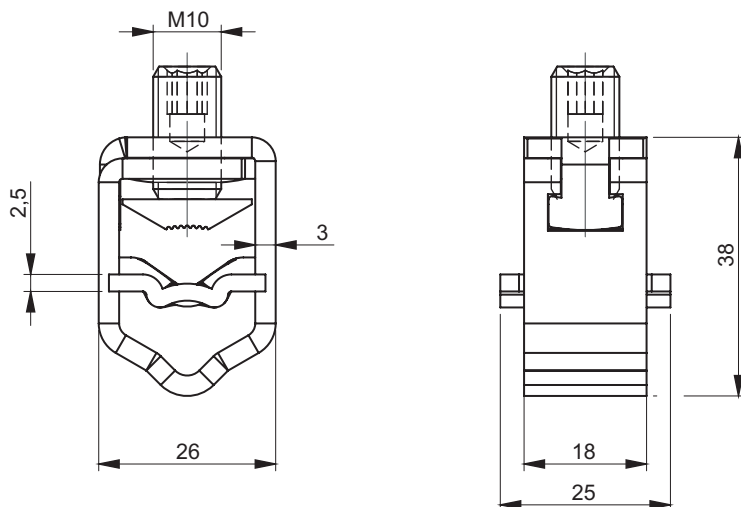
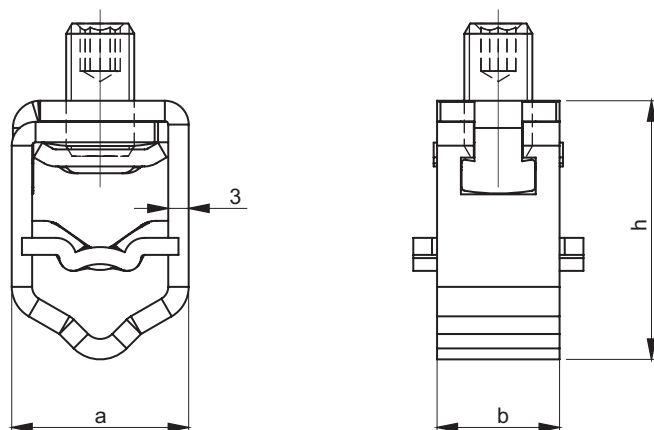


HM 2/10-70-A



HM 2/10-70-B



- sm** - multiwire sector shaped conductor (flexible) **rm** - round multiwire conductor (flexible)
- se** - sector shaped conductor (rigid) **re** - round conductor (rigid)

DETAIL	CROSS-SECTION [mm ²]				MAX TIGHTENING TORQUE [Nm]	DIMENSIONS		
	sm	se	rm	re		a	b	h
HM 2/10-70-A	10-50	10-70	10-35	10-50	15	26	18	38
HM 2/10-70-B	10-50	10-70	10-35	10-50	15	26	18	38

	HM 2/10-70-A	HM 2/10-70-B
Clamp	Brass tin-plated	Steel zinc-plated
Housing	Steel zinc-plated	Steel zinc-plated
Screw	Steel zinc-plated	Steel zinc-plated
Compression plate	Copper tinned	Copper tinned

* Screw clamps have safety sign 'B' WG PN-EN 60947-7-1, (IEC 60947-7-1)