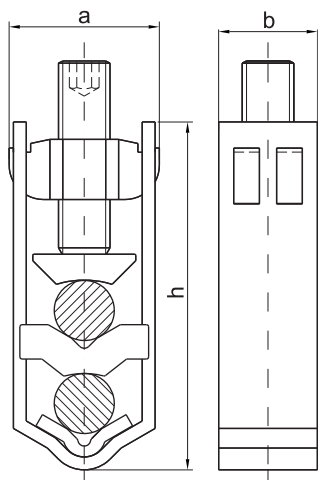
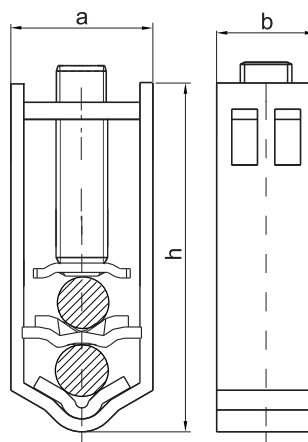


Screw clamps v-klema type HS steel double

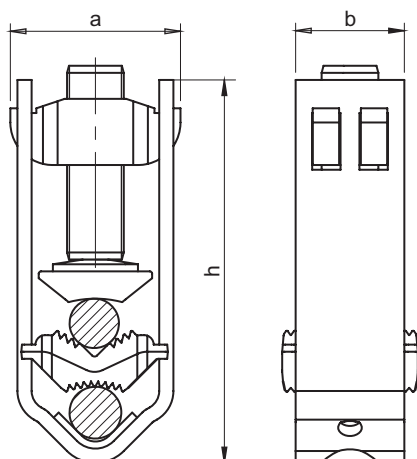
HS 2/50-240



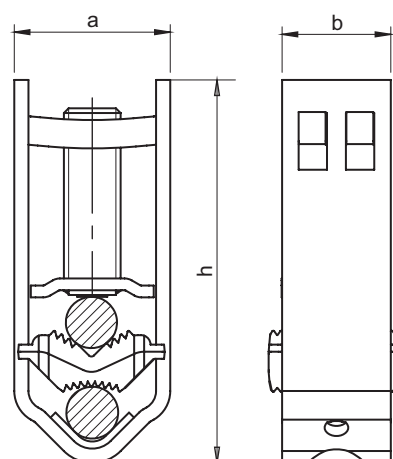
HS 2/50-240-B



HS 2/50-240-D



HS 2/50-240-E



- sm** - multiwire sector shaped conductor (flexible) **rm** - round multiwire conductor (flexible)
- se** - sector shaped conductor (rigid) **re** - round conductor (rigid)

DETAIL	CROSS-SECTION [mm ²]				NOMINAL CROSS-SECTION [mm ²]	MAX TIGHTENING TORQUE [Nm]	DIMENSIONS		
	sm	se	rm	re			a	b	h
HS 2/50-240	50-185	50-240	35-150	35-185	185	40	35	22	81
HS 2/50-240-B	35-240	35-300	35-300	50-185	185	40	35	22	81
HS 2/50-240-D	50-185	50-240	35-150	35-185	185	40	36	23	81
HS 2/50-240-E	35-240	35-300	35-300	50-185	185	40	35	23	81

	HS 2/50-240	HS 2/50-240-B	HS 2/50-240-D	HS 2/50-240-E
clamp	Brass tin-plated	steel zinc-plated	ZAMAK tin-plated	
housing	spring steel zinc-plated			
screw	steel zinc-plated			
compression plate	Brass tin-plated		ZAMAK tin-plated	
nut	Brass tin-plated	spring steel zinc-plated		Brass tin-plated

* Screw clamps have safety sign 'B' WG PN-EN 60947-7-1, (IEC 60947-7-1)