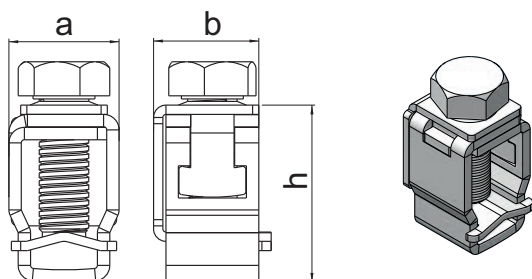
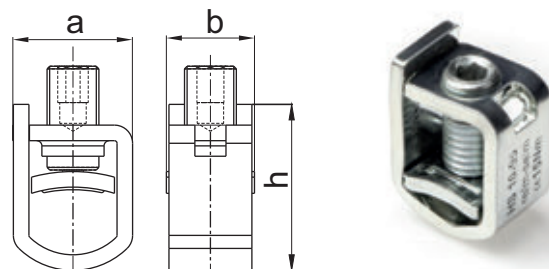


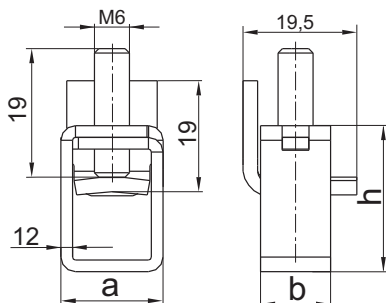
HM 6-50



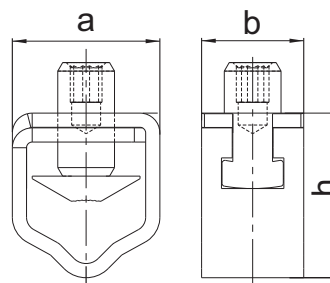
HS 10-95



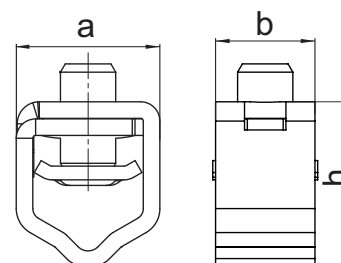
HS 6-50



HM 10-95/A HM 25-150/A HM 10-95/C HM 25-150/B



HM 10-95/B



- sm** - multiwire sector shaped conductor (flexible) **rm** - round multiwire conductor (flexible)
- se** - sector shaped conductor (rigid) **re** - round conductor (rigid)

DETAIL	CROSS-SECTION [mm ²]				NOMINAL CROSS-SECTION [mm ²]	MAX TIGHTENING TORQUE [Nm]	DIMENSIONS		
	sm	se	rm	re			a	b	h
HM 6-50	25-50	25-50	6-50	6-50	50	8	18	16	30
HM 10-95/A	25-95	20-120	10-70	10-70	95	15	26	18	30
HM 10-95/B	25-95	20-120	10-70	10-70	95	15	26	18	30
HM 10-95/C	25-95	20-120	10-70	10-70	95	15	26	18	30
HM 25-150/A	25-120	35-150	25-120	35-120	95	25	26	18	31,5
HM 25-150/B	25-120	35-150	25-120	35-120	95	25	26	18	31,5
HS 6-50	-	-	6-50	6-50	50	6	17,5	12	25
HS 10-95	25-95	25-95	10-95	10-70	95	15	23	16	32

	HM 6-50	HS 6-50	HS 10-95	HM 10-95/A	HM 10-95/B	HM 10-95/C	HM 25-150/A	HM 25-150/B
housing	spring steel zinc-plated			stainless steel	spring steel zinc-plated	spring steel zinc-plated	stainless steel	steel zinc-plated
clamp	spring steel zinc-plated			Brass tin-plated	spring steel zinc-plated	Brass tin-plated	Brass tin-plated	Brass tin-plated
screw	steel zinc-plated			stainless steel	steel zinc-plated	steel zinc-plated	stainless steel	steel zinc-plated

* Screw clamps have safety sign 'B' WG PN-EN 60947-7-1, (IEC 60947-7-1)