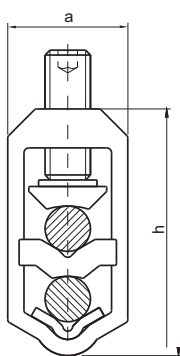


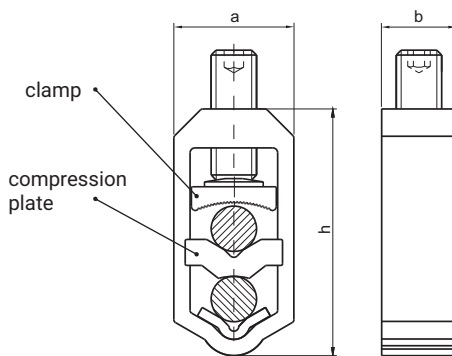
# Screw clamps v-klema type

## Double aluminium

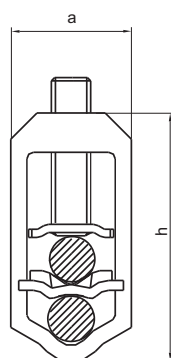
2/25-120SW  
2/50-240SW  
2/25-120SW-D  
2/50-240SW-D



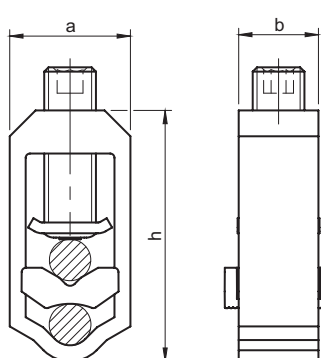
2/70-300SW  
2/70-300SW-E



2/25-120SW-B  
2/35-300SW-B



2/25-120SW-E



- sm** - multiwire sector shaped conductor (flexible)
- rm** - round multiwire conductor (flexible)
- se** - sector shaped conductor (rigid)
- re** - round conductor (rigid)

DETAIL	CROSS-SECTION [mm <sup>2</sup> ]				NOMINAL CROSS-SECTION [mm <sup>2</sup> ]	MAX TIGHTENING TORQUE[Nm]	DIMENSIONS		
	sm	se	rm	re			a	b	h
2/25-120SW	25-120	25-120	16-95	16-95	95	20	28	18	58
2/50-240SW	35-185	35-240	35-120	35-150	150	30	37	23	76
2/70-300SW	70-240	95-300	50-120	70-150	150	30	37	23	76
2/25-120SW-B	25-120	25-120	16-120	16-120	95	20	28	18	58
2/35-300SW-B	50-240	50-240	35-300	50-150	150	30	37	23	76
2/25-120SW-D	25-120	25-120	16-95	16-95	95	20	28	18	58
2/50-240SW-D	35-185	35-240	35-120	35-150	150	30	37	23	76
2/70-300SW-E	70-240	95-300	50-120	70-150	150	30	37	23	76
2/25-120SW-E	25-120	25-120	16-95	16-95	95	20	28	18	58

	2/25-120SW	2/50-240SW	2/70-300SW	2/25-120SW-B	2/35-300SW-B
<b>clamp</b>	brass- zinc plated			spring steel zinc-plated	
<b>compression plate</b>	brass- zinc plated			spring steel zinc-plated	
<b>housing</b>	aluminium (AlMgSi)				
<b>screw</b>	steel zinc-plated				
	2/25-120SW-D	2/50-240SW-D	2/70-300SW-E	2/25-120SW-E	
<b>clamp</b>	brass- zinc plated	ZAMAK tin-plated	brass- zinc plated	spring steel zinc-plated	
<b>compression plate</b>	ZAMAK tin-plated				
<b>housing</b>	aluminium (AlMgSi)				
<b>screw</b>	steel zinc-plated				

\* SW - hexagon head socked

\* Screw clamps have safety sign 'B' Wg PN-EN 60947-7-1, (IEC 60947-7-1), EN 61238, EN 60999