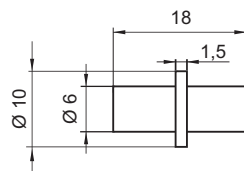
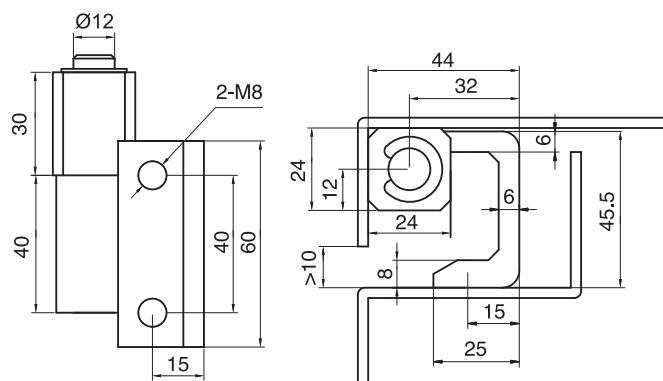


**3.ST25.002.01**



CATALOGUE NUMBER	Ø D1	Ø D2	Ø D3	L1 mm	L2 mm	L3 mm	COMPONENTS	MATERIAL
<b>3.ST25.001</b>	15	13	9	47	6	15	Housing, Bushing	Steel zinc plated
							Pin	
<b>3.ST25.001SN</b>							Housing, Bushing	Stainless steel
							Pin	
<b>3.ST25.002</b>	10	-	6	41,5	-	13	Housing, Bushing	Steel zinc plated
<b>3.ST25.002.01</b>	-						Limiter	Steel without finish
<b>3.ST25.005</b>	12	9	6	38	3,5	10	Housing	Steel copper plated



CATALOGUE NUMBER	COMPONENTS	MATERIAL
<b>3.550.001</b>	Holder, Pin	Stainless steel