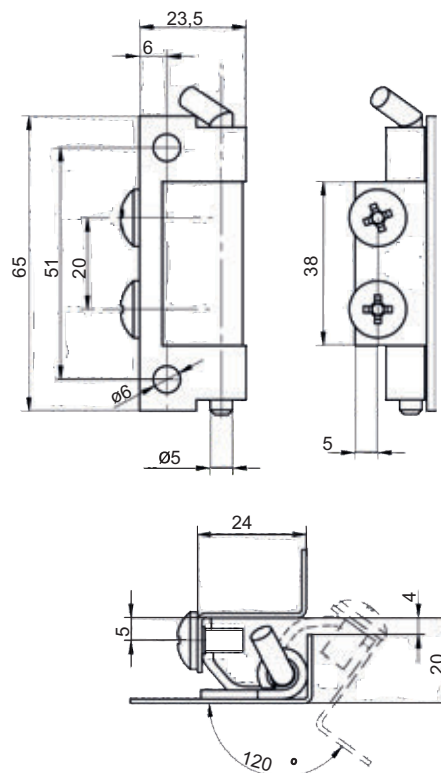


CATALOGUE NUMBER	COMPONENTS	MATERIAL
3.ST19-2.001	Base, Pin	Steel zinc plated
	Holder	Steel
3.ST19-2.001SN	Holder, Base, Pin	Stainless steel



CATALOGUE NUMBER	COMPONENTS	MATERIAL
3.537.001	Holder, Base, Pin	Steel zinc plated
3.537.001SN	Holder, Base, Pin	Stainless steel