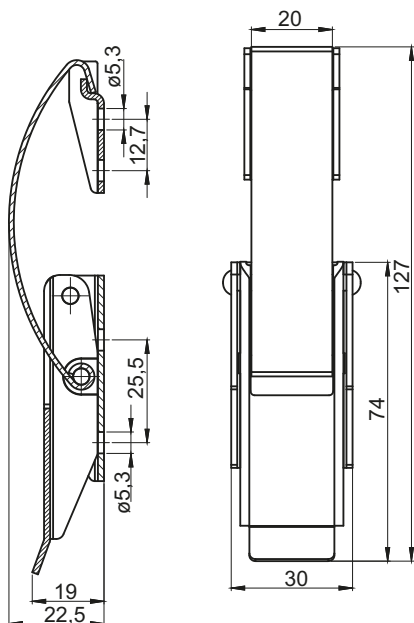


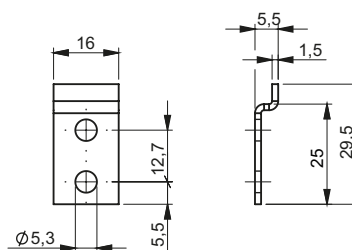
stainless steel



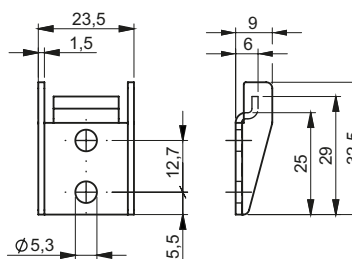
3.ST263.001



3.ST263.001.04A

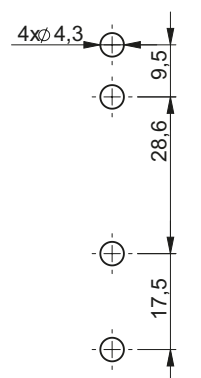
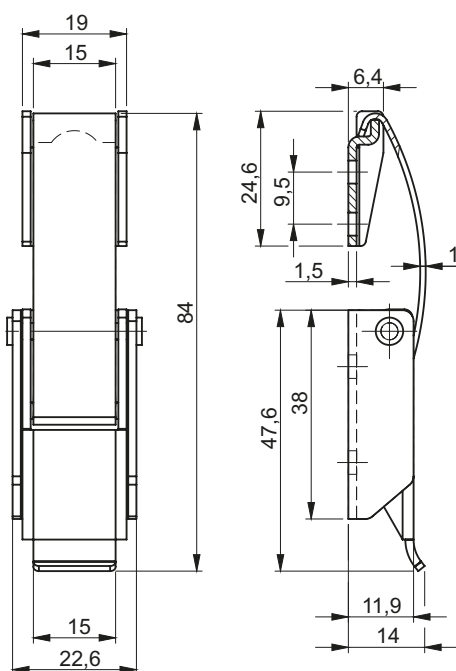


3.ST263.001.04B



CATALOGUE NUMBER	MATERIAL	FINISH [C]
		RAL 9005
3.ST263.001	Steel zinc plated	04
3.ST263.001SN	Stainless steel	-
3.ST263.001.04A	Steel zinc plated	04
3.ST263.001.04B		
3.ST263.001.04ASN	Stainless steel	04
3.ST263.001.04BSN		

stainless steel



Mounting hole

CATALOGUE NUMBER	MATERIAL
3.ST263.100	Steel zinc plated
3.ST263.100SN	Stainless steel