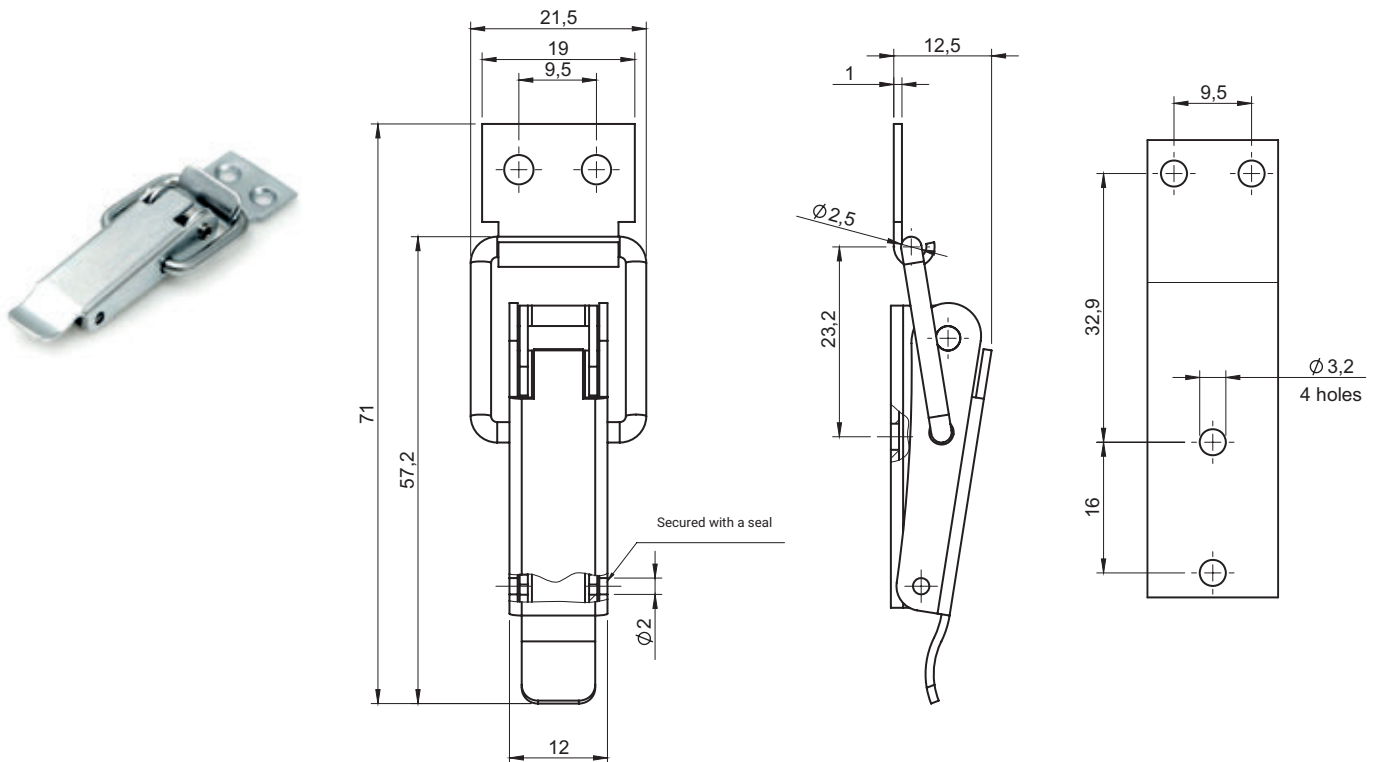


Latch supplied with a catch

CATALOGUE NUMBER	MATERIAL
3.ST261.001	Steel zinc plated



Latch supplied with a catch

CATALOGUE NUMBER	MATERIAL
3.ST262.001	Steel zinc plated