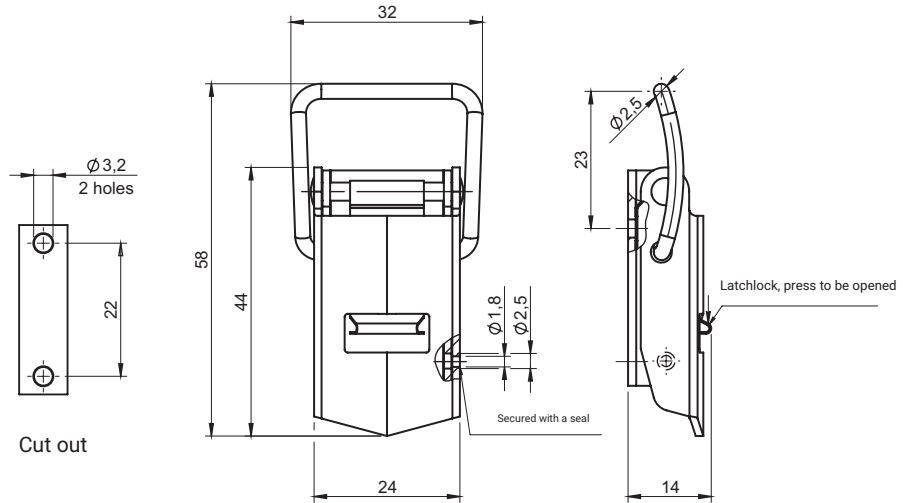


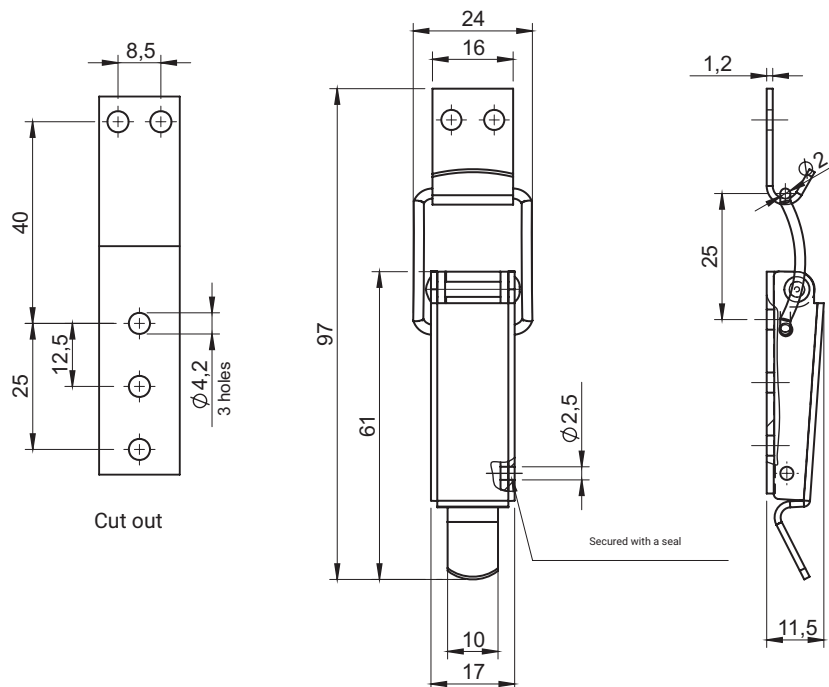
stainless steel



Preferred catch:
 - 3.ST200.002 (2B-1)
 - 3.ST200.002SN (2B-1)
 Catch ordered separately

CATALOGUE NUMBER	MATERIAL
3.ST206.001*	Steel zinc plated
3.ST206.001SN*	Stainless steel

stainless steel



Latch supplied with a catch

CATALOGUE NUMBER	MATERIAL
3.ST207.001	Steel zinc plated
3.ST207.001SN	Stainless steel