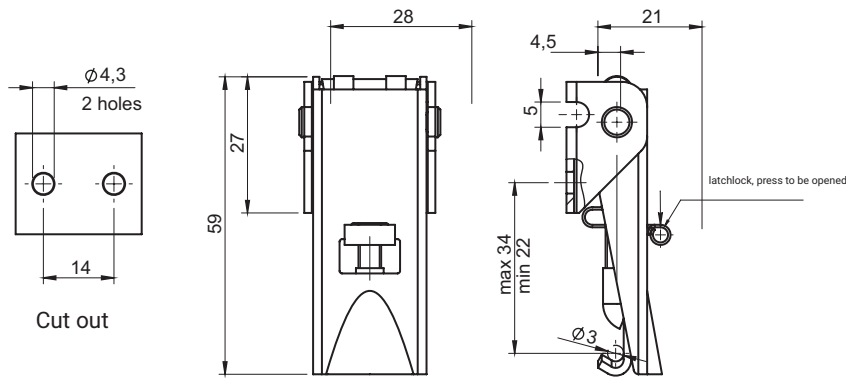
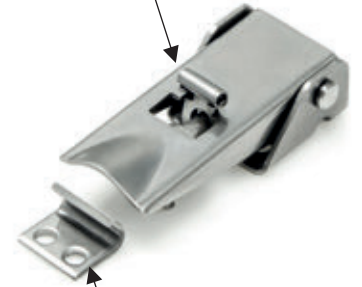


# Latch 3.ST204, 3.ST205 Catch 3.ST200



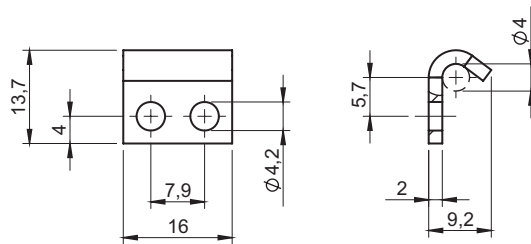
3.ST204.001



3.ST200.003

Preferred catch:  
- 3.ST200.003 (2B-2)  
- 3.ST200.003SN (2B-2)  
Catch ordered separately

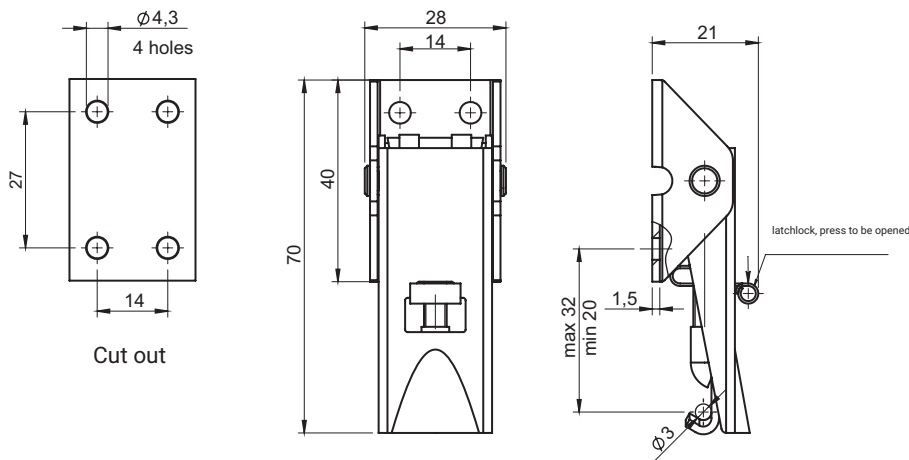
CATALOGUE NUMBER	MATERIAL
3.ST204.001	Steel zinc plated
3.ST204.001SN	Stainless steel



Catch can be used with:  
3.ST204.001  
3.ST204.001SN  
3.ST205.001  
3.ST205.001SN

CATALOGUE NUMBER	MATERIAL
3.ST200.003*	Steel zinc plated
3.ST200.003SN*	Stainless steel

\* detail to be ordered separately



Preferred catch:  
- 3.ST200.003 (2B-2)  
- 3.ST200.003SN (2B-2)  
Catch ordered separately

CATALOGUE NUMBER	MATERIAL
3.ST205.001	Steel zinc plated
3.ST205.001SN	Stainless steel