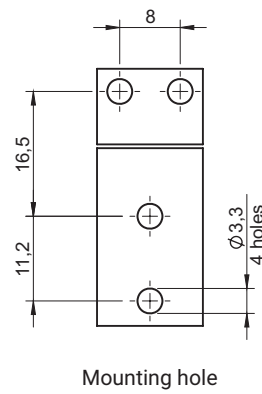
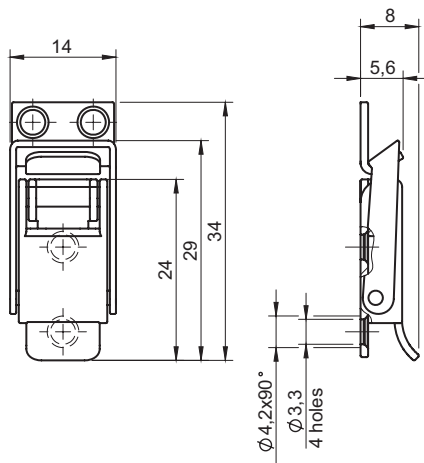


stainless steel



CATALOGUE NUMBER	DETAIL	MATERIAL
3.ST263.101	Latch secured with a padlock	Steel zinc plated
3.ST263.101SN		Stainless steel



stainless steel



Latch supplied with a catch

CATALOGUE NUMBER	MATERIAL
3.561.001	Stainless steel