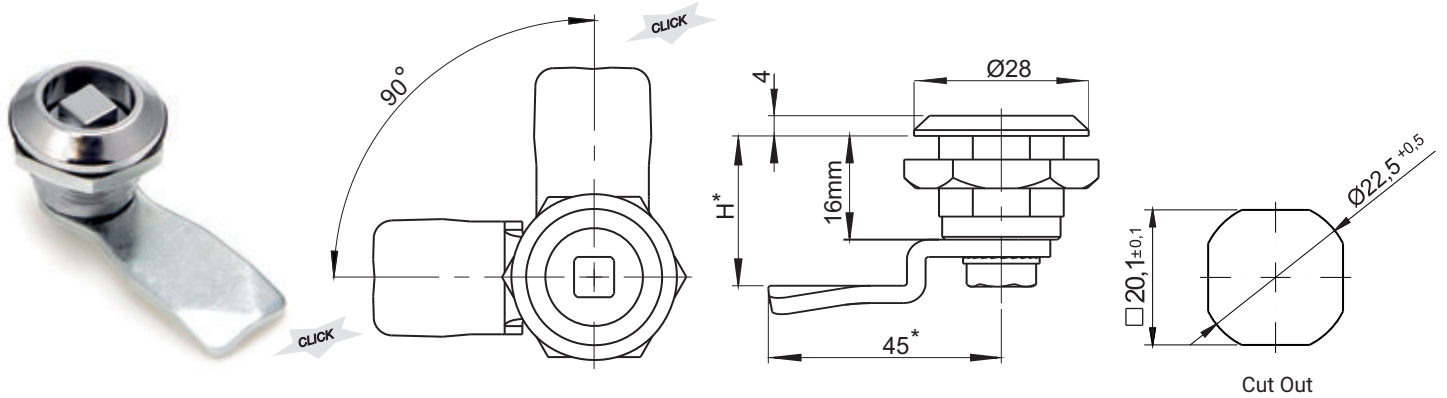
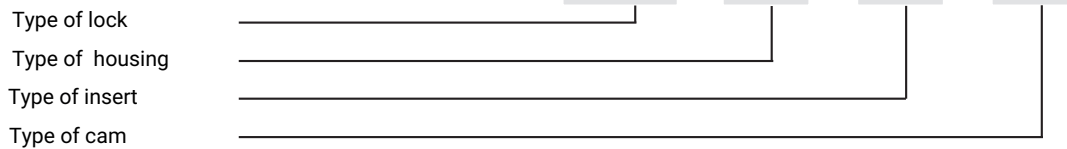


Comments:  
Opening and closing the lock is signaled the sound effect

INSERT				INSERT FINISH [C]				HOUSING FINISH [K]	
				Chrome	Nickel	RAL 9005	RAL 7035	RAL 9005	RAL 7035
D5	T9	KW8	KW8 inner	01	02	04	05	07	08
NAME				COMPONENTS				MATERIAL	
Lock M22GP4				Housing				Polyamide	
				Insert				ZAMAK5	
				Cam				Steel zinc plated	

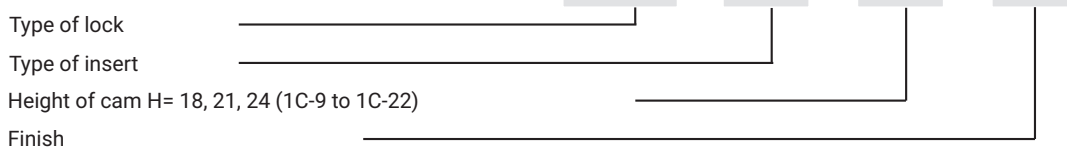
**How to order :**



Comments: Opening and closing the lock is signaled the sound effect

INSERT				FINISH [C]			
				Chrome	Nickel	RAL 9005	RAL 7035
D5	T9	KW8	KW8 inner	01	02	04	05
NAME				COMPONENTS		MATERIAL	
Lock M22GP5				Housing, insert		ZAMAK5	
				Cam		Steel zinc plated	

**How to order :**



\* possibility to make in another dimension  
 If you order a custom cam, please contact your dealer for further details.