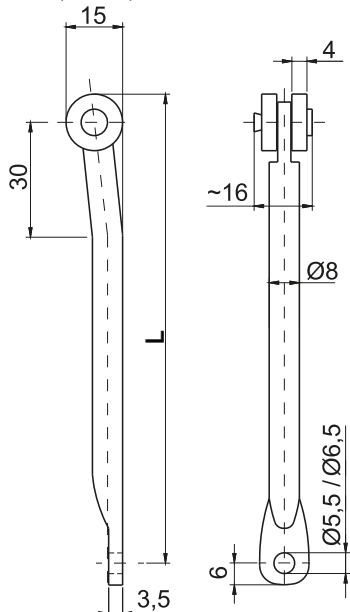
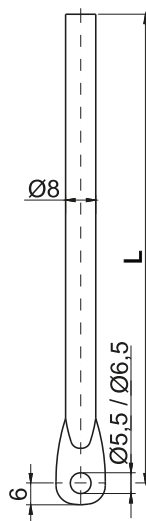


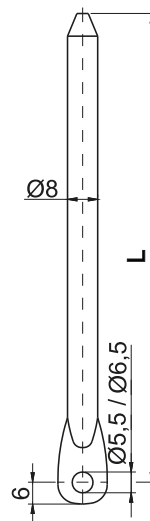
ROD with Rollers
(P38 L)



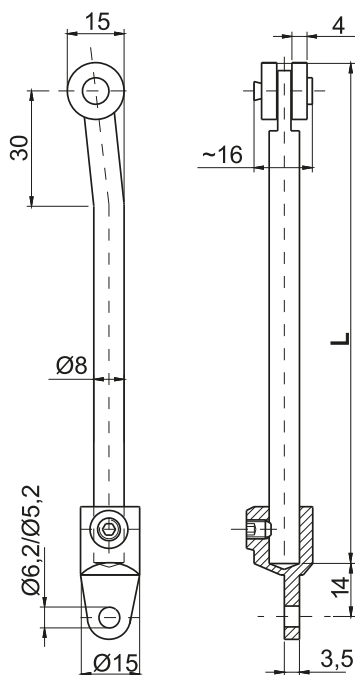
ROD with Flat End
(P48 L)



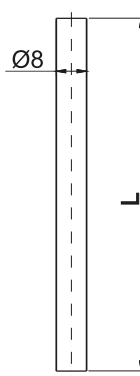
ROD with Pointed End
(P28 L)



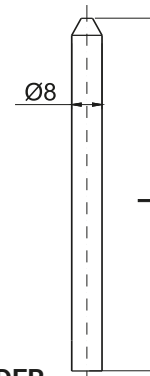
ROD wit Rollers
(P38/U L)
(used with Rod Holder)



ROD with Flat End
(P48/U L)
(used with Rod Holder)



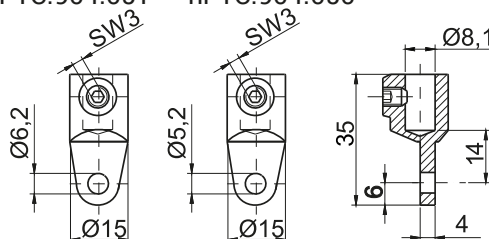
ROD with Pointed End
(P28/U L)
(used with Rod Holder)



ROD HOLDER

nr 1C.904.051

nr 1C.904.050



L - length of rod [mm]

CAT. NUMBER	NAME	MATERIAL
P28 L	Rod with pointed end	Steel zinc plated
P38 L	Rod with rollers	Steel zinc plated, rollers-PA6
P48 L	Rod with flat end	Steel zinc plated
P28/U L	Rod with pointed end (adjustable)	Steel zinc plated
P38/U L	Rod with rollers (adjustable)	Steel zinc plated, rollers-PA6
P48/U L	Rod with flat end (adjustable)	Steel zinc plated
1.C.904.051, 1C.904.050	Rod holder	ZAMAK - zinc plated
1C.904.052	Rod holder	Stainless Steel

