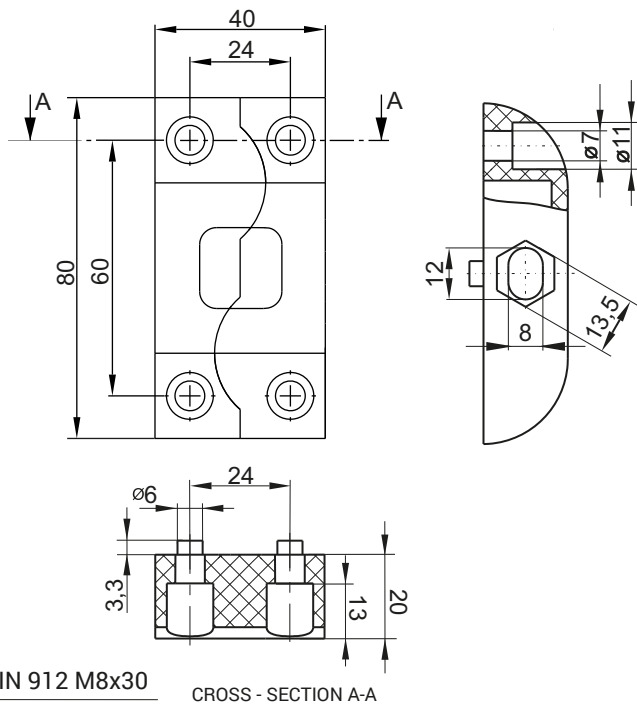


CATALOGUE NO.	DETAL	MATERIAL	FINISH [C]			
			Nickel	Zink plated	RAL 9005	RAL 7035
4.419.001-X	Metal bridge clamp	ZAMAK	01	02	03	04
4.419.002	Plastic bridge clamp	Polyamide	RAL 9005			

**Connector 4.429.001**



NAME	MATERIAL	FINISH [C]
Connector 4.429.001	Polyamide - PA6 GF30	RAL 9005 07